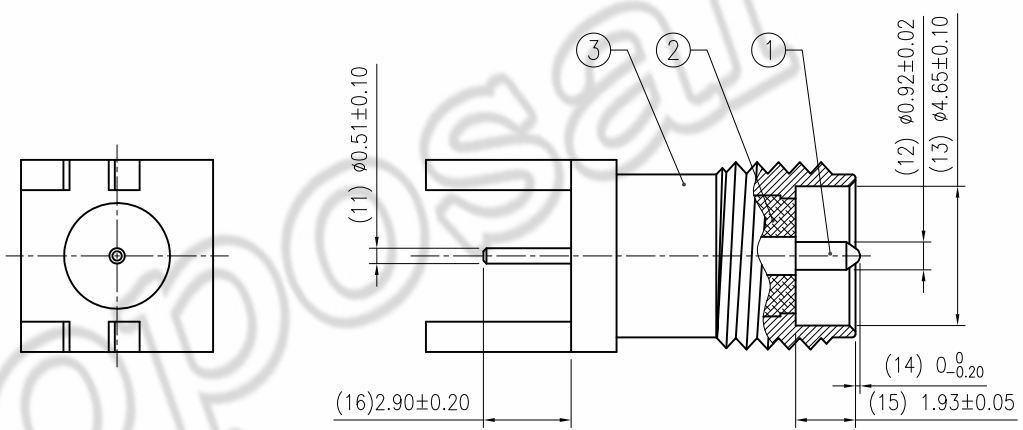
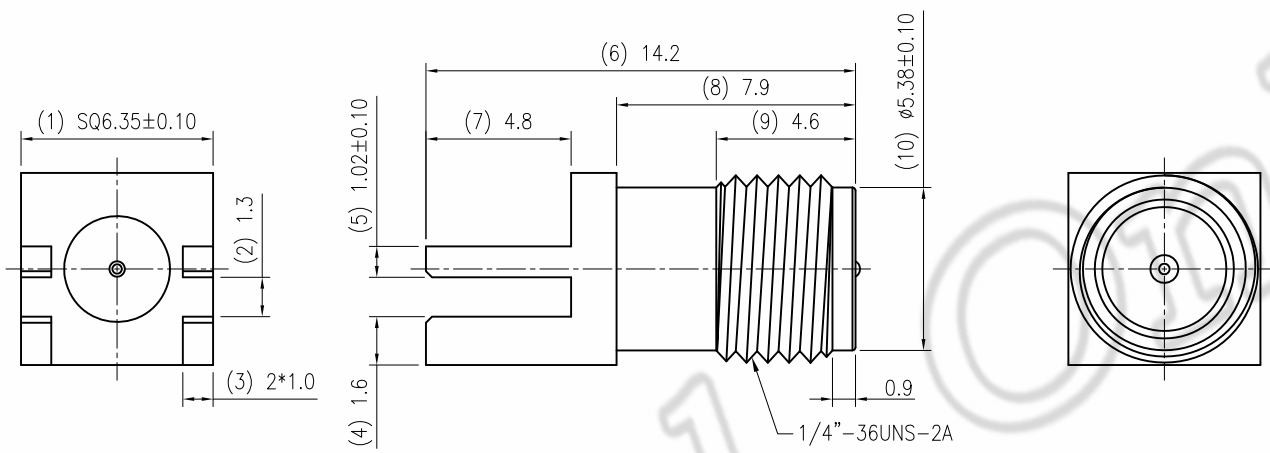


REV.	FILE No.	DRAWN BY	DATE
AO	ECR111013/ECN111023	EDWARD.LIU	2011.10.11



- TECHNICAL SPECIFICATIONS:
- 1.NORMAL IMPEDANCE: 50 $\Omega$ ;
  - 2.FREQUENCY RANGE: DC~12.4GHz;
  - 3.INSERTION LOSS: 0.15dB/6GHz;
  - 4.VSWR: 1.20 Max.;
  - 5.WORKING VOLTAGE: 335V Max.;
  - 6.WITHSTAND VOLTAGE: 1000V Min.;
  - 7.CONTACT RESISTANCE:
    - 7.1.CENTER CONTACT: 3m $\Omega$  Max.;
    - 7.2.OUTER CONTACT: 2m $\Omega$  Min.;
  - 8.INSULATION RESISTANCE: 5000M $\Omega$  Min.;
  - 9.MATING 500 CYCLES Min.;

3	OUTER CONTACT	BRASS, Au-PLATED 1u" Min.	1	N/A
2	INSULATOR	MATERIAL:PTFE, COLOR:WHITE	1	N/A
1	CENTER CONTACT	BRASS, Au-PLATED 3u" Min.	1	N/A
ITEM	PART NAME	DESCRIPTION	Q'TY	REMARK

DWG TYPE: PART DRAWING		<b>LITE</b> Liteconn Co., Ltd.		
GENERAL TOLERANCE: UNLESS OTHERWISE SPECIFIED		TITLE: RF CONNECTOR ASSEMBLY SMA JACK/REVERSE STRAIGHT FOR PCB		
X.X	±0.10	X.X*	±2'	APPD:
X.XX	±0.05	X.XX*	±1'	CHECK:
X.XXX	±0.02	X.XXX*	±0.5'	DRAW: EDWARD.LIU
		DATE: 2011.10.11		SCALE: UNIT: PAGE: 4:1 mm 1/1

COPIANCE WITH THE REQUIEMENT:  RoHS;  HF;  SONY SS-00259;  OTHER.  
\*NO USING RESTRICTED AND BANNED SUBSTANCE