

**10/100 BASE PULSE TRANSFORMER**  
**P/N: SH1602G DATA SHEET**



**Liteconn Co.,**  
**堅詠股份有限公司**

**Features**

- ◆ Designed to meet IEEE 803.3u requirement, including 350uH OCL with 8mA bias.
- ◆ Comply with RoHS requirements-whole part No Cd, No Hg, No Cr6+, No PBB and PBDE and No Pb on external pins.
- ◆ Comply with Air reflow profile of JEDEC 020C.
- ◆ Operating temperature range: 0°C to + 70°C.
- ◆ Storage temperature range: -25°C to + 125°C.



**SPEC**

**Electrical Specifications @ 25°C**

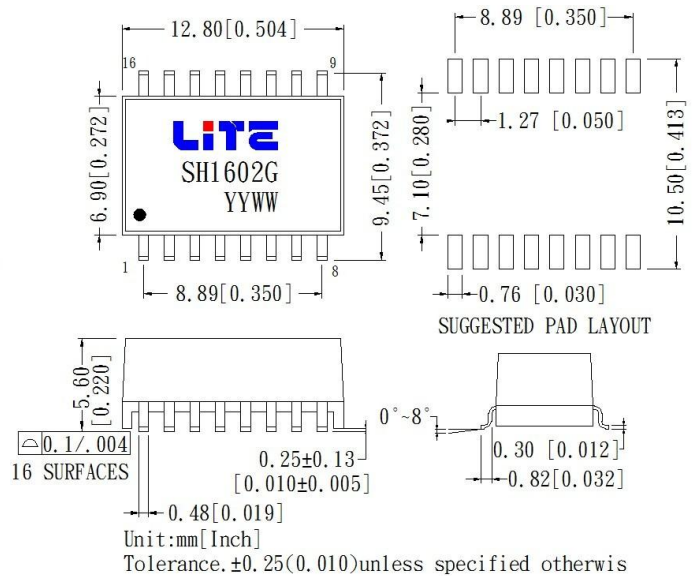
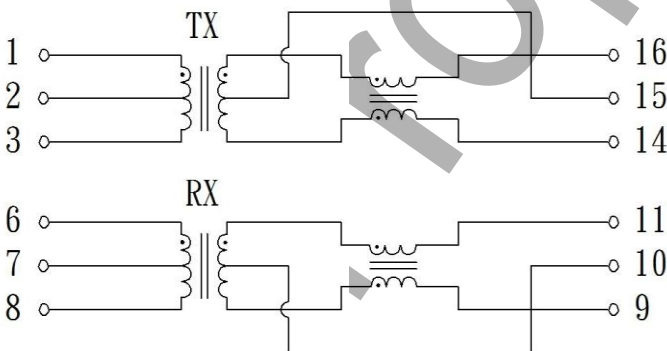
Part Number	Turns Ratio		OCL (uH Min) @ 100KHz/0.1V with 8mA DC Bias	Cw/w (pF Max)	L.L (uH Max)	DCR (Ω MAX)		Insertion Loss (dB Max) 0.3-100MHz	HI-POT (Vrms)
	TX	RX				1-3/6-8	16-14/9-11		
SH1602G	1CT:1	1CT:1CT	350	28	0.5	0.9	1.1	-1.15	1500

**Continue**

Part Number	Return Loss (dB Min)				Cross talk (dB Min)			DCMR (dB Min)		
	0.3-30MHz	40MHz	50MHz	60-80MHz	0.3-30MHz	60MHz	80-100MHz	0.3-30MHz	60MHz	100MHz
SH1602G	-18	-15.5	-13.0	-12	-50	-45	-40	-40	-35	-30

**Schematic**

**Mechanical**



核准：

審核：

製作：田镇东

Rev.A1