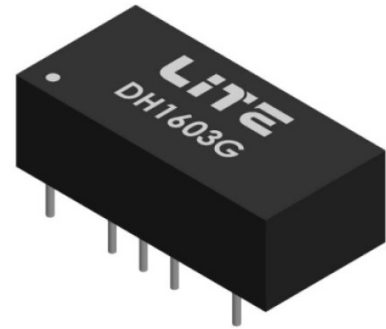


1000 BASE PULSE TRANSFORMER
P/N: DH1603G DATA SHEET

Features

- ◆ Designed for long haul gigabit Ethernet 1000 BASE-T, full duplex applications. Supports 4 pairs of category 5 UTP cable.
- ◆ Cable interface for isolation and low common mode emissions.
- ◆ Comply with RoHS & Halogen Free requirements.
- ◆ Compliant with IEEE 802.3ab standard for 100 BASE-T.
- ◆ Operating temperature range: 0°C to + 70°C.
- ◆ Storage temperature range: -25°C to + 125°C.



SPEC

Electrical Specifications @ 25°C

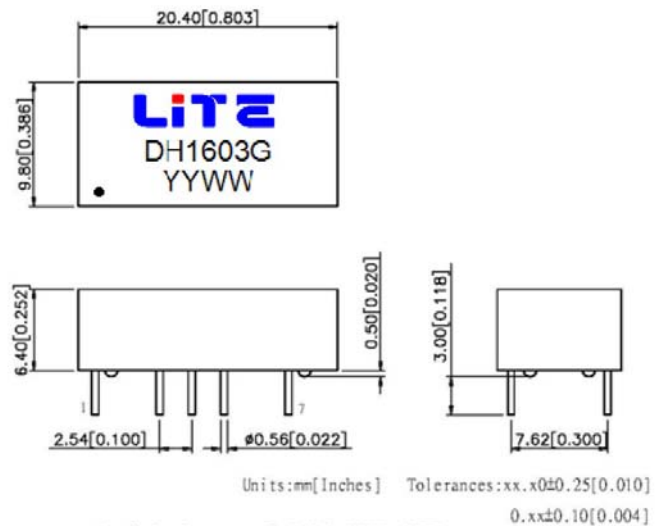
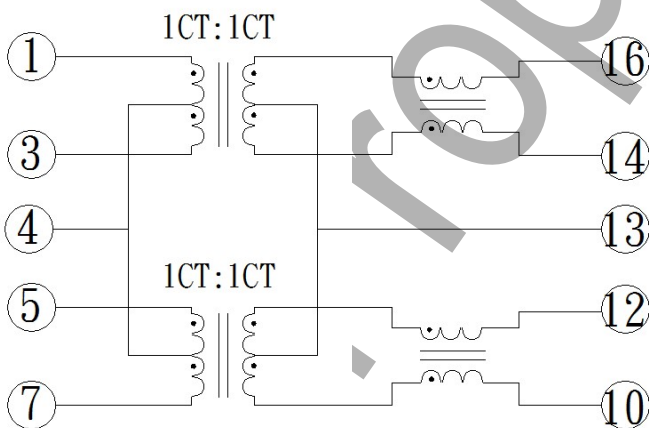
| Part Number | Turns Ratio (±5%) | | OCL (uH Min) @ 100KHz/0.1V with 8mA DC Bias | Cross talk (dB Min) | | | HI-POT (Vrms) |
|-------------|-------------------|---------|---|---------------------|-------|-----------|---------------|
| | TX | RX | | 30MHz | 60MHz | 80-100MHz | |
| DH1603G | 1CT:1CT | 1CT:1CT | 350 | -45 | -40 | -35 | 1500 |

Continue

| Part Number | Insertion Loss (dB Max) | Return Loss (dB Min) | | | | | DCMR (dB Min) | | |
|-------------|-------------------------|----------------------|---------|-------|-------|----------|---------------|-------|-------|
| | | 1-100MHz | 1-30MHz | 40MHz | 50MHz | 60-80MHz | 100MHz | 30MHz | 60MHz |
| DH1603G | -1.0 | -18 | -14.4 | -13.1 | -12 | -10 | -43 | -35 | -33 |

Schematic

Mechanical



2,6,8,9,11,15 PIN CUT OFF

核准：

審核：

製作：田镇东

Rev.A0