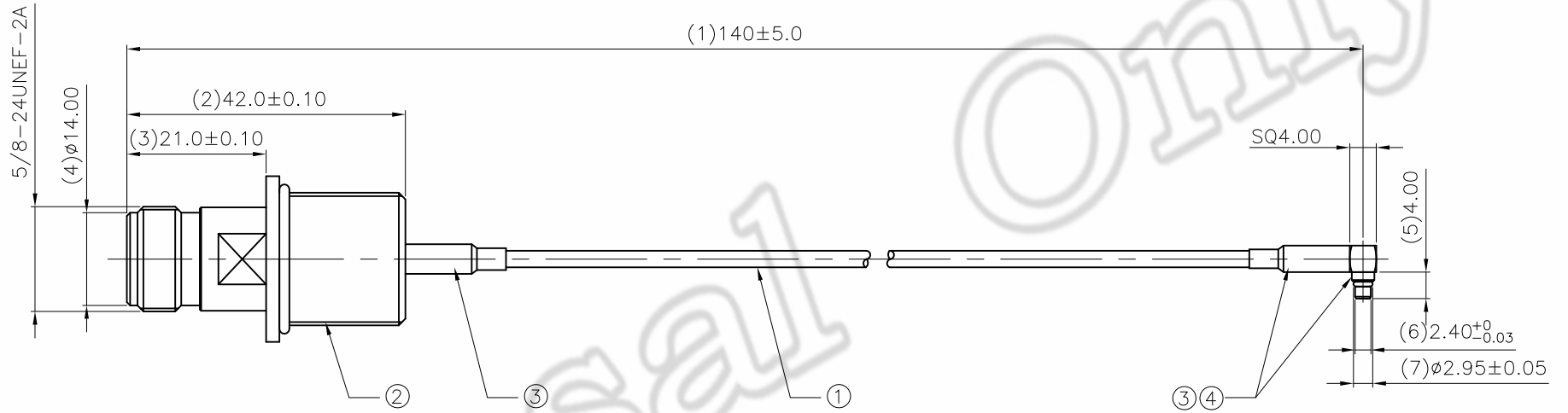


REV.	FILE No.	DRAWN BY	DATE
AO	ECN No.:111161	JASON.SHAW	2011.11.28



4	MMCX CONNECTOR	MMCX PLUG RIGHT ANGLE FOR RG316	1	T423-0002-OR
3	SHRINK TUBE	φ3.0*15mm, BLACK	2	E304-017R
2	N TYPE	BRASS, Ni-PLATED, 80u" Min.	1	T424-0001-OR
1	CABLE	RG316 CABEL L:103mm BROWN	1	Y448-170R
ITEM	PART NAME	DESCRIPTION	Q'TY	REMARK

DWG TYPE: PRODUCT DRAWING		LITE Liteconn Co., Ltd.			
GENERAL TOLERANCE: UNLESS OTHERWISE SPECIFIED				TITLE: RF CABLE ASSEMBLY N TYPE TO MMCX PLUG FOR RG316	
X.X ±0.2	X.X' ±2.0'	APPD:	---		
X.XX ±0.10	X.XX' ±1.00'	CHECK:	---		
X.XXX ±0.050	X.XXX' ±0.500'	DRAW:	JASON.SHAW		
DATE:		2011.11.28	SCALE:	1:1	UNIT: mm
DWG No.:		511309-0021-55R		PAGE:	1/1

COPIANCE WITH THE REQUIEMENT: RoHS; HF; SONY SS-00259; OTHER.
*NO USING RESTRICTED AND BANNED SUBSTANCE