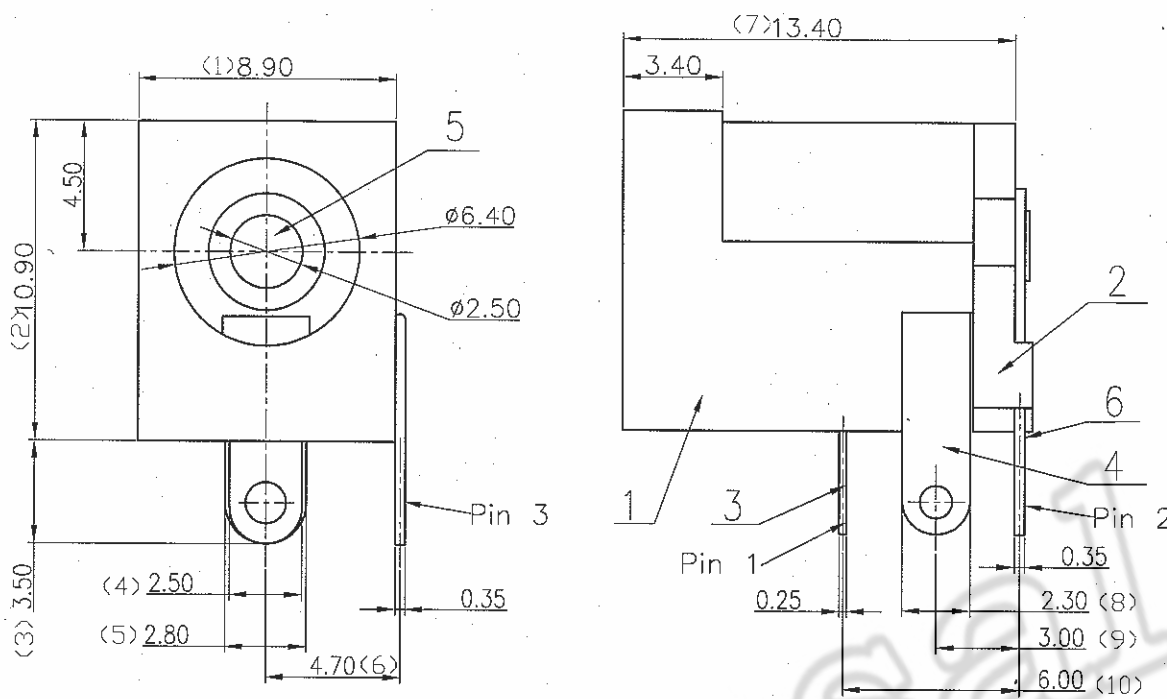
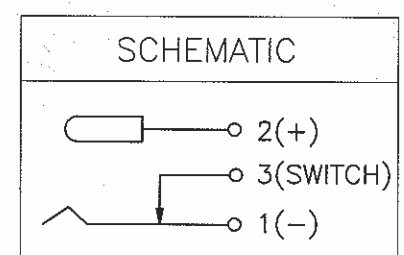
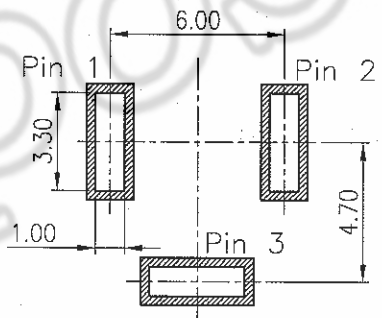
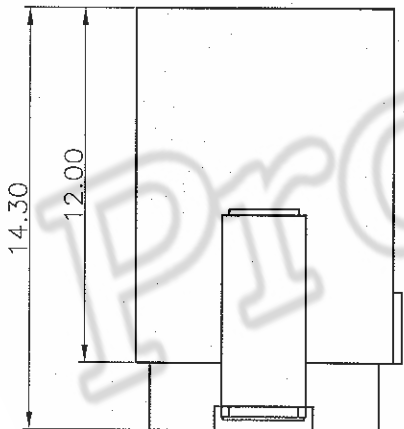


REV	ECN.NO:	BY	DATE
A0	NEW DWG	莊東	10.10.22
A1	修改電路圖(ECR110840)	譚曉斌	11.08.17



- NOTES:
- MATERIAL:
 - HOUSING&COVER: HIGH TEMPERATURE THERMOPLASTIC WITH 30% G.F,UL94 V-0 ;COLOR: BLACK
 - CONTACT: COPPER ALLOY
 - FINISH:
 - CONTACT: 2.54um [100u"] MIN. BRIGHT-TIN PLATED ON SOLDER TAIL AREA. 1.02um [40u"] MIN. NICKEL UNDER-PLATEDOVERALL.
 - "(*)" SHOWS QIP INSPECTION ITEMS.
 - RECOMMENDED P.C.B THICKNESS : 1.6mm
 - OTHER GENERAL SPEC. TO REFER : JACK SERIES SPEC.
 - FOR WAVE SOLDERING LEAD-FREE PROCESS
 - 202103-0110-X X X

R:ROHS
 MATERIAL:
 2:PBT,BLACK
 PLATING:
 7: Ni 40u",Tin100u"



6	CONTACT	SEE PART DRAWING		TIN PLATED
5	CONTACT	SEE PART DRAWING		TIN PLATED
4	CONTACT	SEE PART DRAWING		TIN PLATED
3	CONTACT	SEE PART DRAWING		TIN PLATED
2	COVER	SEE PART DRAWING	SEE PART DRAWING	UL 94V-0
1	HOUSING	SEE PART DRAWING	SEE PART DRAWING	UL 94V-0
NO:	DESCRIPTION	MATERIAL	COLOR	REMARK

TABLE

1	202103-0110-72R	Tin	PBT/BLACK	RoHS
NO:	PART.NO:	PLATING	MATERIAL/COLOR	REMARK

COPLIANCE WITH THE REQUIEMENT RoHS HF SONY00259 OTHER
 ※ NO USING RESTRICTED AND BANNED SUBSTANCE

CUSTOMER DRAWING

LITE Liteconn Co.,Ltd.

-TOLERANCES-
UNLESS OTHERWISE SPECIFIED

X.X	±0.35	X.X*	±3'
X.XX	±0.25	X.XX*	±2'
X.XXX	±0.15	X.XXX*	±1'

APPD: *Andon 8/18*

CHECK: *王連華 8/17*

DRAW: *譚曉斌*

TITLE: ϕ 2.5 DC JACK 3PIN

DWG NO: 202103-0110-XXX

DATE	SCALE	UNIT	PAGE
2010.10.22	1:1	MM	1/1