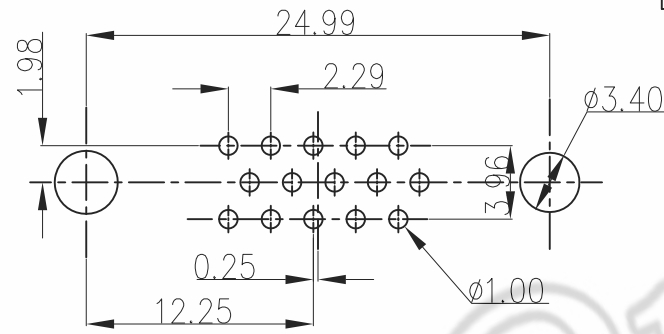
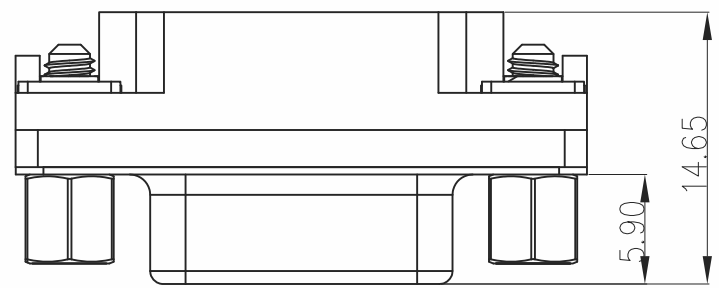
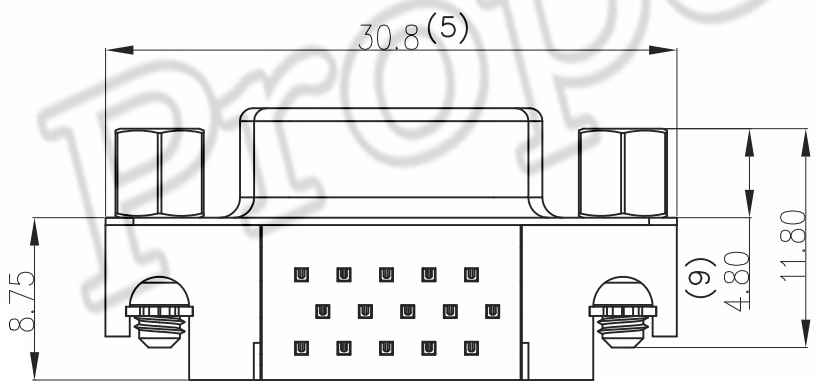
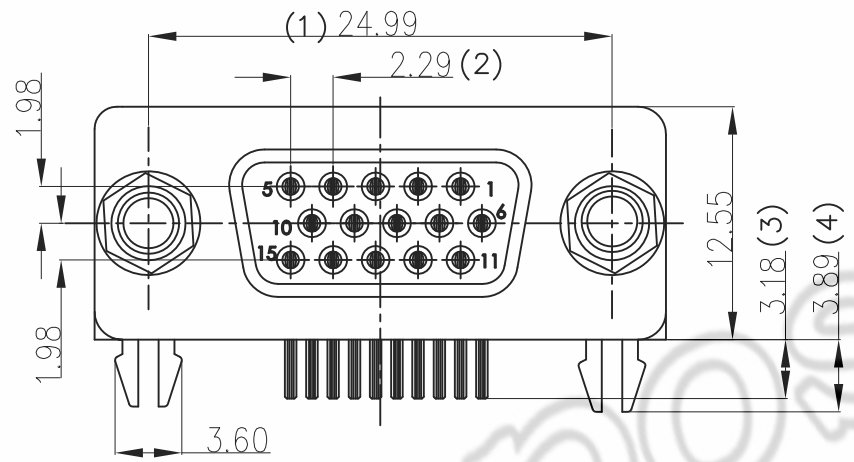
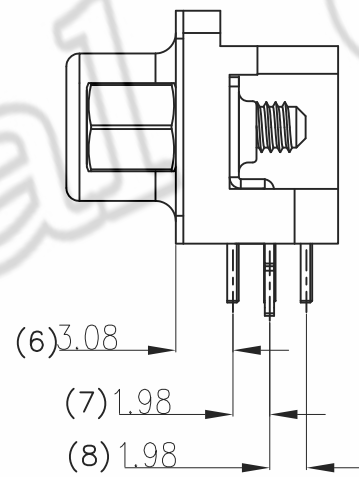


REV	ECN.NO:	BY	DATE
A0	NEW DWG	韋芳	12.02.20



- NOTES:
- MATERIAL:
 - HOUSING & COVER: HIGH TEMPERATURE THERMOPLASTIC UL94 V-0; COLOR: SEE NOTES 6
 - CONTACT: Copper Alloy
 - SHELL: Copper Alloy
 - FORK: Copper Alloy
 - SCREW: Copper Alloy
 - RIVET: Copper Alloy
 - FINISH:
 - CONTACT: GOLD PLATED(SEE TABLE) ON CONTACT AREA. 2.54um [100u"] MIN. TIN PLATED ON SOLDER TAIL AREA. 1.27um [50u"] MIN. NICKEL UNDERPLATING OVERALL.
 - SHELL: 1.27um [50u"] MIN. NICKEL UNDERPLATING OVERALL.
 - FORK: 2.54um [100u"] MIN. MATTE TIN PLATED. 1.27um [50u"] MIN. NICKEL UNDERPLATED OVERALL.
 - RIVET: 1.27um [50u"] MIN. NICKEL UNDERPLATED OVERALL.
 - SCREW: 1.27um [50u"] MIN. NICKEL UNDERPLATED OVERALL.
 - RECOMMENDED P.C.B THICKNESS : 1.6mm
 - OTHER GENERAL SPEC. TO REFER : D-SUB SERIES SPEC.
 - FOR WAVE SOLDERING LEAD-FREE PROCESS
 - 155115-0211- X X X

PCB LAYOUT



- MATERIAL:
- R: ROHS
 - 5. HOUSING: PBT, COLOR: 黑色(300u)
 - A. HOUSING: PBT, COLOR: 黑色(300u)
- PLATING:
- 1. CONTACT: Au 1u".

9	RIVET	SEE PART DAWING		NICKEL PLATED
8	SCREW	SEE PART DAWING		NICKEL PLATED
7	FORK	SEE PART DAWING		TIN PLATED
6	SHELL	SEE PART DAWING		NICKEL PLATED
5	CONTACT	SEE PART DAWING		GOLD/TIN PLATED
4	CONTACT	SEE PART DAWING		GOLD/TIN PLATED
3	CONTACT	SEE PART DAWING		GOLD/TIN PLATED
2	BACK PLASTIC	SEE PART DAWING	SEE PART DAWING	UL 94V-0
1	HOUSING	SEE PART DAWING	SEE PART DAWING	UL 94V-0
NO:	DESCRIPTION	MATERIAL	COLOR	REMARK

TABLE

2	155115-0211-15R	Au1u"	PBT黑色(300u)	RoHS
1	155115-0211-1AR	Au1u"	PBT黑色(661C)	RoHS
NO:	PART NO:	PLATING	MATERIAL	REMARK

COPLIANCE WITH THE REQUIEMENT RoHS HF SONY00259 OTHER
 ※ NO USING RESTRICTED AND BANNED SUBSTANCE

CUSTOMER DRAWING		LITE Liteconn Co.,Ltd.			
-TOLERANCES- UNLESS OTHERWISE SPECIFIED		TITLE: D-SUB三排母座90度DIP 型15PIN鉚鎖11.8			
X.X	±0.35	X.X*	±3°	APPD:	DWG NO: 155115-0211-XXX
X.XX	±0.25	X.XX*	±2°	CHECK:	DATE: 2012.02.20
X.XXX	±0.15	X.XXX*	±1°	DRAW: 韋芳	SCALE: 1:1
					UNIT: MM
					PAGE: 1/1