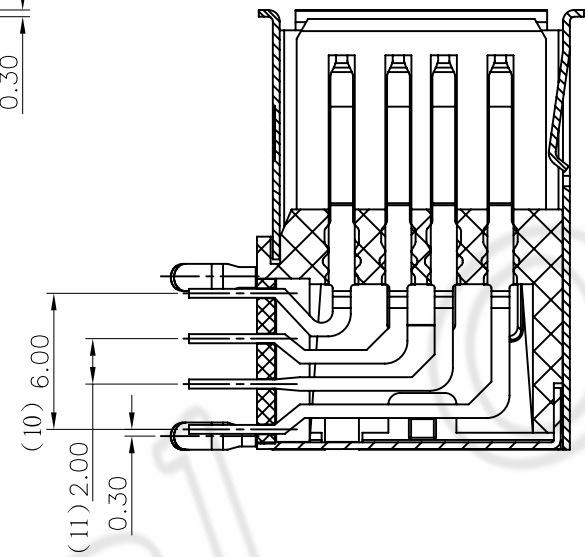
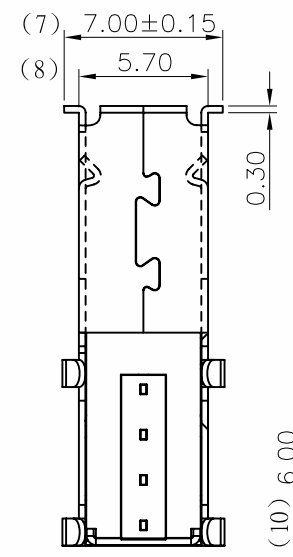
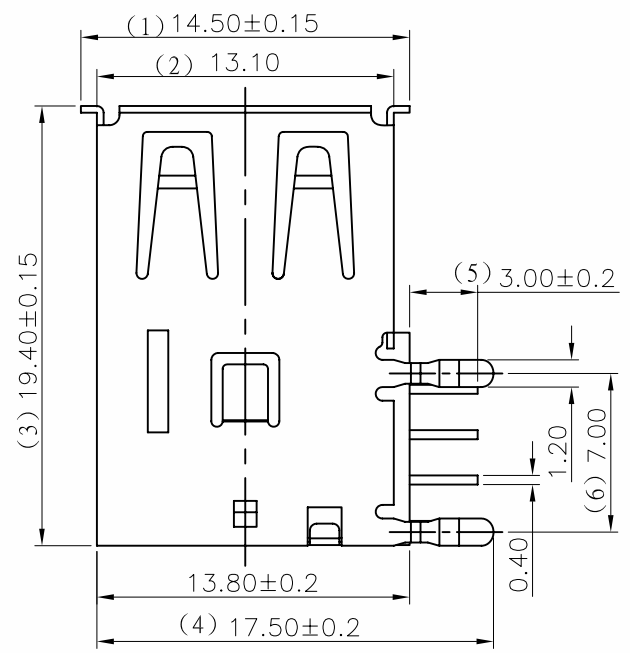


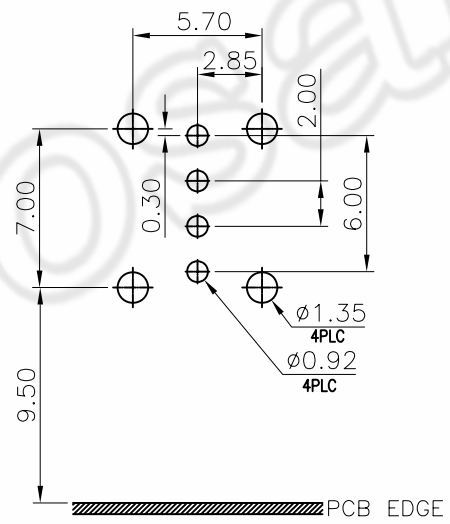
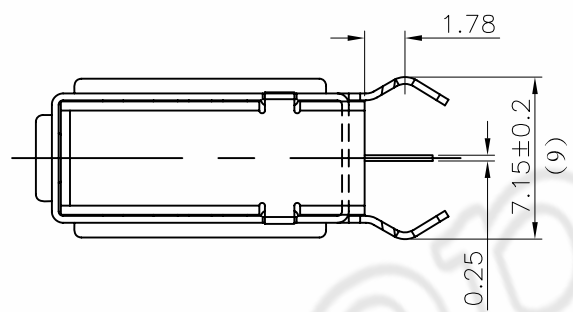
REV	ECN.NO:	BY	DATE
A0	NEW DWG	JACKY. LV	11.08.22



- NOTES:
- MATERIAL:
 - HOUSING: THERMOPLASTIC, UL94 V-0; COLOR: 285C BLUE
 - CONTACT: PHOSPHOR BRONZE
 - FRONT SHELL: BRASS
 - BACK SHELL: STEEL
 - FINISH:
 - CONTACT:
 - GOLD PLATING (SEE TABLE) ON CONTACT AREA.
 - 2.54um [100u"] MIN. BRIGHT-TIN PLATING ON SOLDER TAIL AREA.
 - 1.27um [50u"] MIN. NICKEL UNDERPLATING OVERALL.
 - SHELL:
 - 1.27um [50u"] MIN. NICKEL PLATING OVERALL.
 - OTHER GENERAL SPEC. TO REFER : USB SERIES SPEC.
 - FOR REFLOW SOLDERING LEAD-FREE PROCESS
 - PART NO. :

1441A4-0220-	X	X	R
	↓	↓	↓
	R: ROHS		
	MATERIAL: HOUSING		
	G NY6T,COLOR: WHITE		
	J NY6T,COLOR: 285C BLUE		
	6 PBT,COLOR: WHITE		
	2 PBT,COLOR: BLACK		
	7 PBT,COLOR: 285C BLUE		
	F PBT,COLOR: 2935U BLUE		
	A PBT,COLOR: 306U BLUE		

- PLATING:
- CONTACT: Ni 50u",Au 1u",Tin 100u";
SHELL: Ni 50u";
 - CONTACT: Ni 50u",Au 30u",Tin 100u";
SHELL: Ni 50u";



PCB LAYOUT(TOP VIEW)
(ALL TOLERANCES ARE ±0.05)

10	1441A4-0220-12R	Au1u"	PBT BLACK	RoHS
9	1441A4-0220-1AR	Au1u"	PBT 306C BLUE	RoHS
8	1441A4-0220-1GR	Au1u"	PA6T WHITE	RoHS
7	1441A4-0220-1JR	Au1u"	PA6T 285C BLUE	RoHS
6	1441A4-0220-1FR	Au1u"	PBT 2935C BLUE	RoHS
5	1441A4-0220-16R	Au1u"	PBT WHITE	RoHS
4	1441A4-0220-17R	Au1u"	PBT 285C BLUE	RoHS
3	1441A4-0220-57R	Au30u"	PBT 285C BLUE	RoHS
2	1441A4-0220-56R	Au30u"	PBT WHITE	RoHS
1	1441A4-0220-52R	Au30u"	PBT BLACK	RoHS
NO:	PART NO:	PLATING	MATERIAL/COLOR	REMARK

COPLIANCE WITH THE REQUEIMENT RoHS HF SONY00259 OTHER
 ※ NO USING RESTRICTED AND BANNED SUBSTANCE

CUSTOMER DRAWING		LITE Liteconn Co.,Ltd.	
-TOLERANCES- UNLESS OTHERWISE SPECIFIED		TITLE: USB A TYPE 側立式有后蓋	
X.X ±0.35	X.X* ±3'	APPD: ANDERSON. CHIU	DWG NO: 1441A4-0220-XXR
X.XX ±0.25	X.XX* ±2'	CHECK: BILL. CHEN	DATE
X.XXX ±0.15	X.XXX* ±1'	DRAW: JACKY. LV	SCALE
			UNIT
			PAGE
			2011.07.22
			1:1
			MM
			1/1