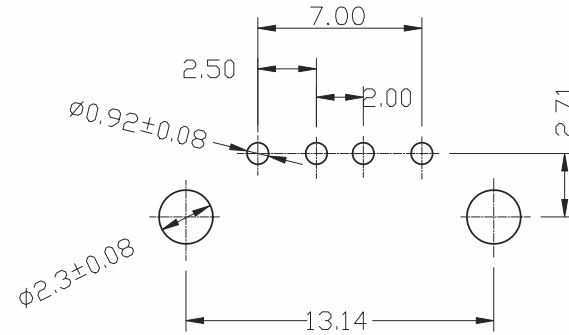
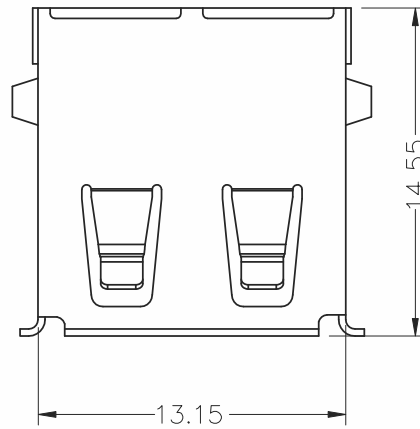


REV	ECN.NO:	BY	DATE
A1	NEW DWG	ZHULIZHI	11.03.25

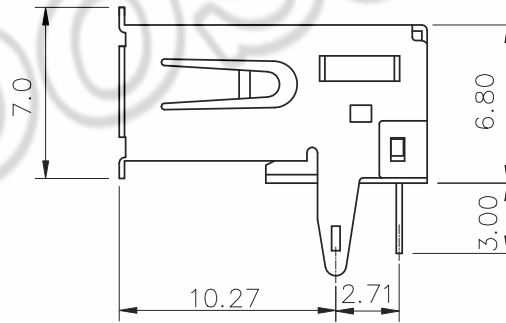
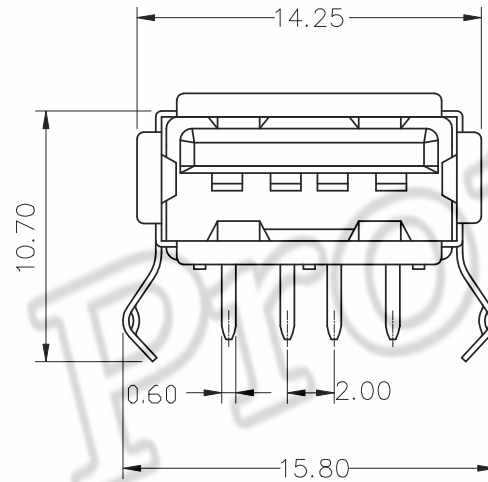


PCB LAYOUT

NOTES:

- MATERIAL:
 - HOUSING: PBT, UL94 V-0; COLOR: 285C BLUE/BLACK/WHITE
 - CONTACT: BRASS
 - SHELL: BRASS
- FINISH:
 - CONTACT:
 - GOLD PLATING(SEE TABLE) ON CONTACT AREA.
 - 2.54um [100u"] MIN. BRIGHT-TIN PALTING ON SOLDER TAIL AREA.
 - 1.27um [50u"] MIN. NICKEL UNDERPLATING OVERALL.
 - SHELL:
 - 1.27um [50u"] MIN. NICKEL PLATING OVERALL.
- OTHER GENERAL SPEC. TO REFER : USB SERIES SPEC.
- FOR WAVE SOLDERING LEAD-FREE PROCESS
- PART NO. : 1421A4-0420- X X R

- R: ROHS
- MATERIAL:
 - HOUSING: PBT,COLOR: 285C BLUE
 - HOUSING: PBT,COLOR: WHITE
 - HOUSING: PBT,COLOR: BLACK
- PLATING:
 - CONTACT: Au 1u"
 - CONTACT: Au 30u"
 - CONTACT: Au 10u"



8	1421A4-0420-97R	Au10u"	PBT	285C BLUE	RoHS	△
7	1421A4-0420-56R	Au30u"	PBT	WHITE	ROHS	△
6	1421A4-0420-96R	Au10u"	PBT	WHITE	RoHS	
5	1421A4-0420-57R	Au30u"	PBT	285C BLUE	ROHS	
4	1421A4-0420-52R	Au30u"	PBT	BLACK	RoHS	
3	1421A4-0420-17R	Au1u"	PBT	285C BLUE	ROHS	
2	1421A4-0420-16R	Au1u"	PBT	WHITE	RoHS	
1	1421A4-0420-12R	Au1u"	PBT	BLACK	ROHS	
NO:	PART NO:	PLATING	MATERIAL	COLOR	ENVIRONMENTAL	

COPLIANCE WITH THE REQUIEMENT RoHS HF SONY00259 OTHER
 ※ NO USING RESTRICTED AND BANNED SUBSTANCE

CUSTOMER DRAWING		LITE Liteconn Co.,Ltd.	
-TOLERANCES- UNLESS OTHERWISE SPECIFIED			TITLE: USB AF 4P 90度 DIP 正向型
X.X ±0.35	X.X* ±3*	APPD:	DWG NO: 1421A4-0420-XXR
X.XX ±0.25	X.XX* ±2*	CHECK:	DATE: 2011.03.25
X.XXX ±0.15	X.XXX* ±1*	DRAW: ZHULIZHI	SCALE: 1:1
			UNIT: MM
			PAGE: 1/1