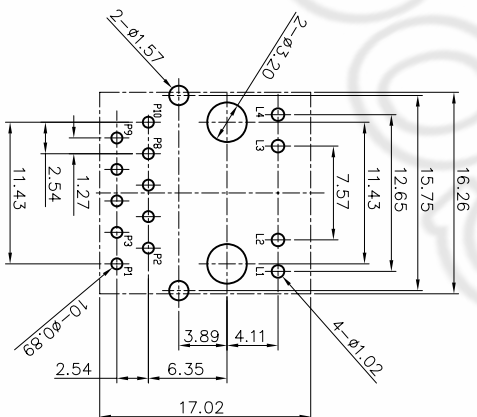
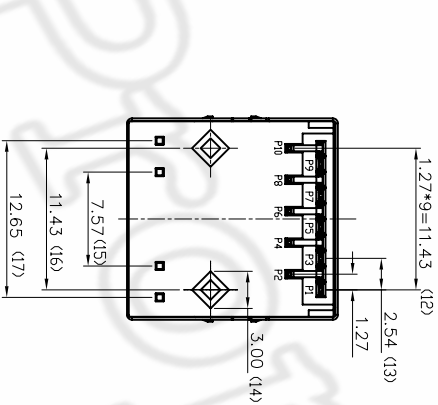
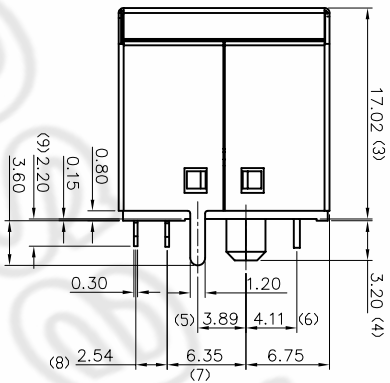
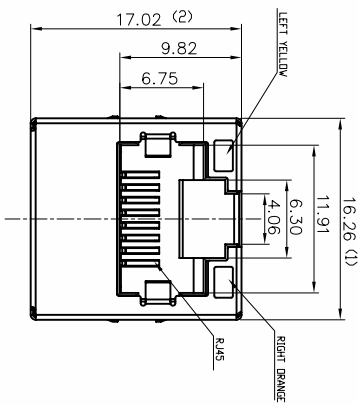
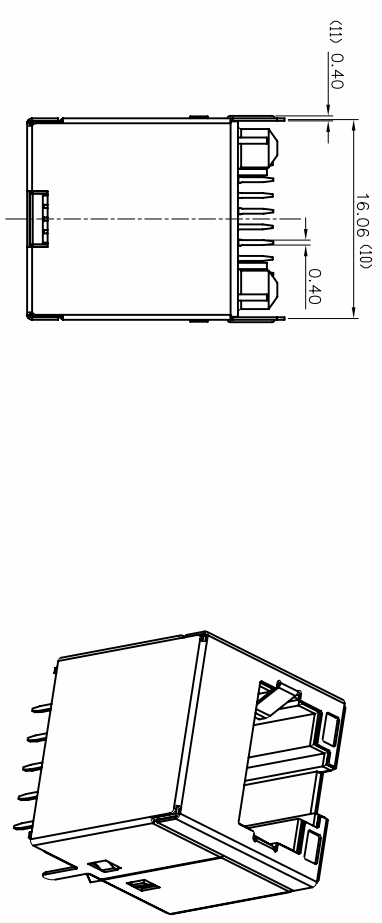


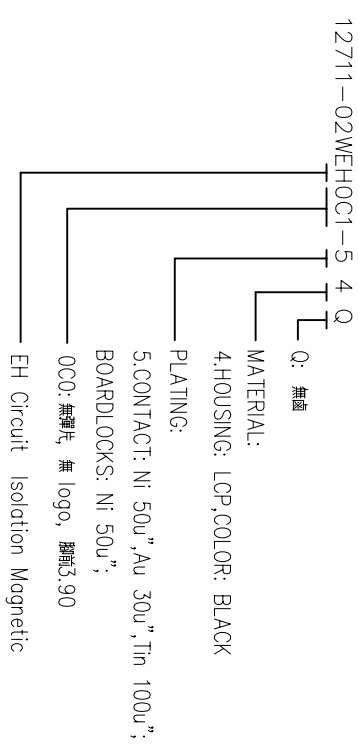
REV	ECH.NO:	BY	DATE
A0	NEW DWG	Ijumbin	11.12.21



PCBLAYOUT

- NOTE:
- MATERIALS:
 - HOUSING: THERMOPLASTIC POLYESTER; BALCK
 - SHELL: SUS201
 - CONTACT: PHOSPHOR BRONZE

- PLATING:
 - CONTACTS: 50u" NICKEL UNDERPLATED OVERALL
30u" GOLD PLATED ON CONTACT AREA
120u" TIN PLATED ON SOLDERTAILS AREA



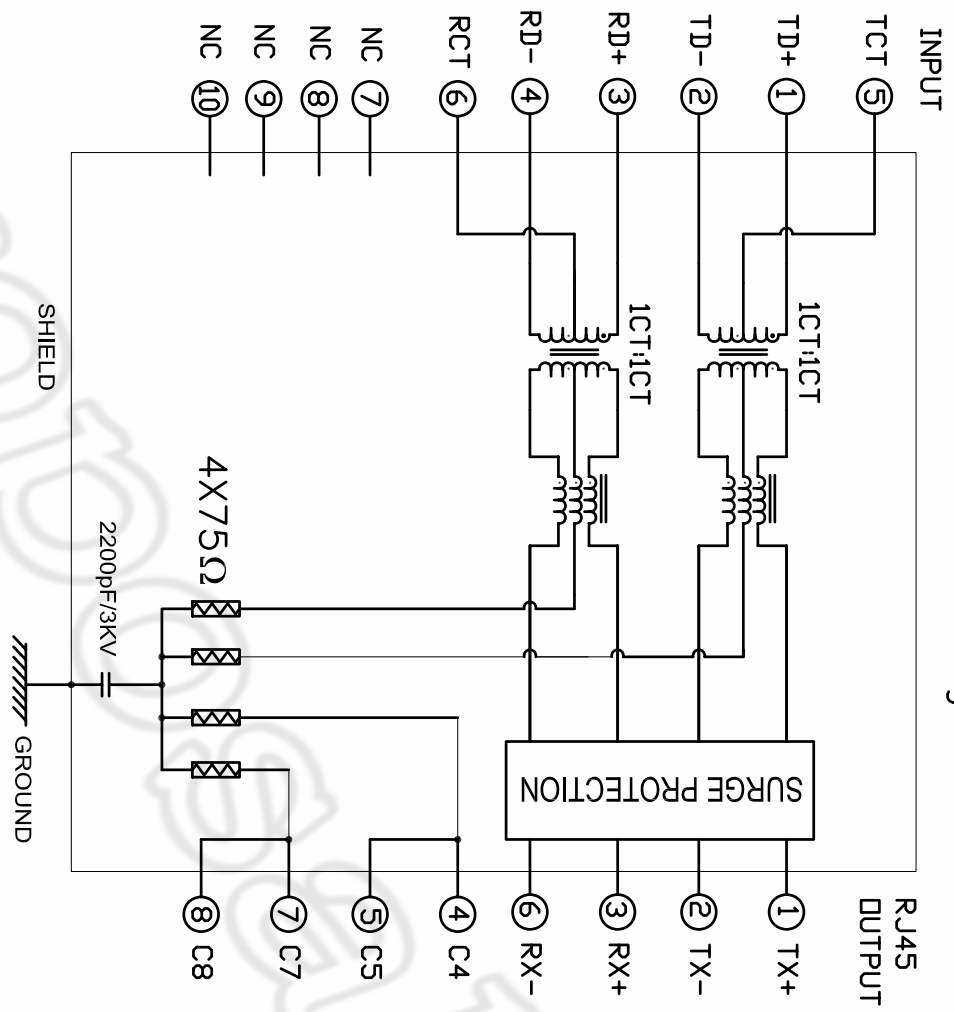
COMPLIANCE WITH THE REQUIREMENT ROHS HF SONV00259 OTHER
 ※ NO USING RESTRICTED AND BANNED SUBSTANCE

CUSTOMER DRAWING		TITLE: Litecom Co., Ltd.	
-TOLERANCES-		RUF1000M 180度 無齒	
UNLESS OTHERWISE SPECIFIED		DWG NO: 12711-02WEH0C1-54Q	
X.X ±0.35	X.X' ±3'	APPD: Fu Chen	DATE: 11.12.21
X.XX ±0.25	X.XX' ±2'	CHECK: Marco	SCALE: 1:1
X.XXX ±0.15	X.XXX' ±1'	DRAW: Ijumbin	UNIT: MM
			PAGE: 1/2

1 2 3 4 5 6 7 8 9 10

REV	ECONO:	BY	DATE
A0	NEW DWG	ijunbin	11.12.21

EH Circuit Isolation Magnetic



ELECTRICAL CHARACTERISTICS

- TEST NOTES(25°C)
- 1.T.R.(100kHz,100mV)
- PINS:(P1-P2),(J1-J2)=11±3%,(P3-P4),(J3-J6)=11±3%
- 2.L.X.(100kHz,100mV,8mA DC Bias)
- PINS:(P1-P2),(P3-P4)=350μH MINIMUM
- 3.DCR:
- PINS:(J1-J2),(J3-J6)=1.5 OHMS MAXIMUM
- 4.HIPDT:
- PINS:(P1-P2)TD(J1-J2),(P3-P4)TD(J3-J6)=1500VAC FOR 60 SECONDS
- 5.INSERTION LOSS:
- 0.8dB MAXIMUM AT 0.3MHz-100MHz
- 1.2dB MAXIMUM AT 100MHz-120MHz
- 6.RETURN LOSS
- 18dB MINIMUM AT 0.5MHz TD 40MHz
- 12+20log(f/80MHz)dB MINIMUM AT 40MHz TD 100MHz
- 7.CROSS TALK:
- 33+20log(f/100MHz)dB MINIMUM AT 0.1MHz TD 100MHz
- 8.COMMON TD DIFFERENTIAL MODE REJECTION
- 35dB MINIMUM AT 0.3MHz TD 100MHz
- 9.COMMON TD COMMON MODE REJECTION
- 30dB MINIMUM AT 0.3MHz TD 100MHz
- 10.OPERATING TEMPERATURE:0°C TD 70°C

CUSTOMER DRAWING		Lite		TITLE: Litecomm Co.,Ltd.	
-TOLERANCES-				RUF1000M 180度 無綫	
UNLESS OTHERWISE SPECIFIED		APPD: Fu Chen		DWG NO: 12711-02WEH0C1-54Q	
X.X ±0.35	X.X' ±2	CHECK: Marco		DATE	SCALE
X.XX ±0.25	X.XX' ±1	DRAW: ijunbin		UNIT	PAGE
X.XXX ±0.15	X.XXX' ±0.5			11.12.21	1:1
				MM	2/2

COMPLIANCE WITH THE REQUIREMENT RoHS HF SONY00259 OTHER
 ※ NO USING RESTRICTED AND BANNED SUBSTANCE