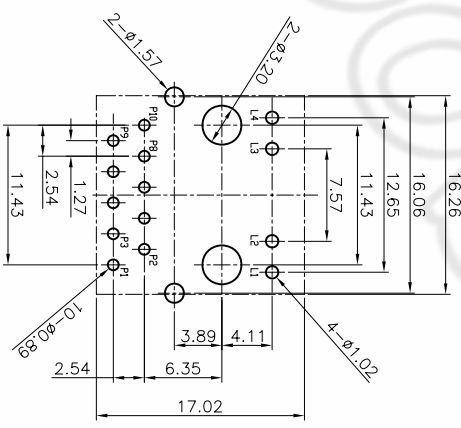
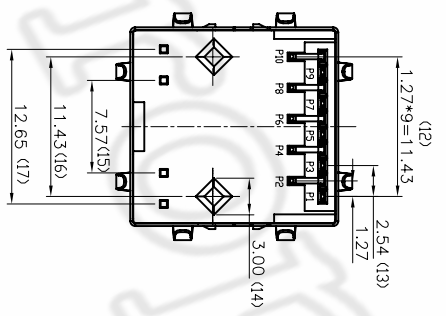
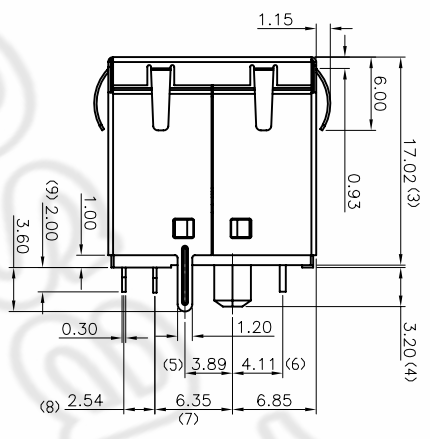
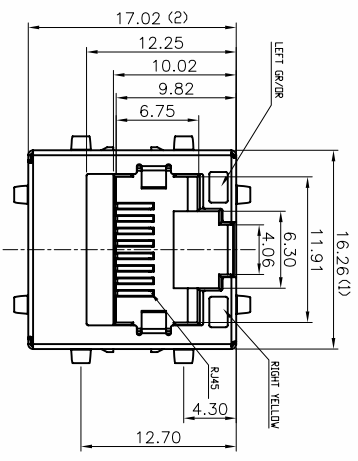
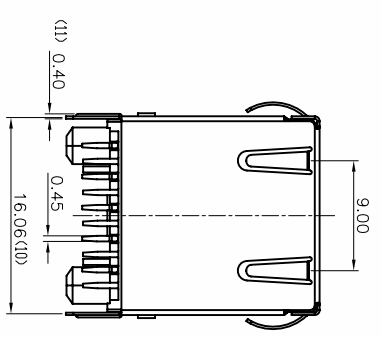
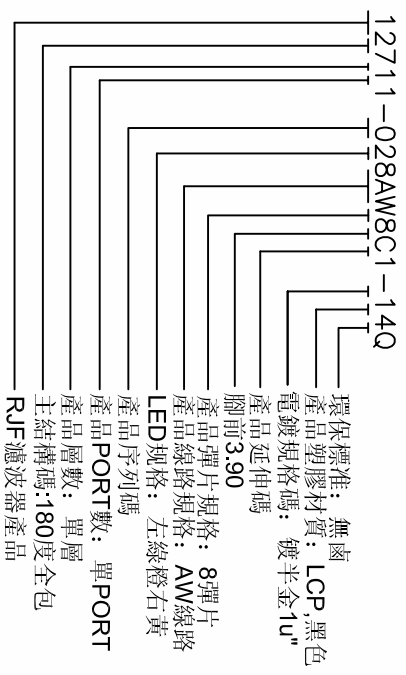


REV	ECONO-	BY	DATE
A0	NEW DWG	ijunbin	12.01.30



PCBLAYOUT

- NOTE:
1. MATERIALS:
 - 1.1 HOUSING: THERMOPLASTIC POLYESTER: BALCK
 - 1.2 SHELL: SUS201
 - 1.3 CONTACT: PHOSPHOR BRONZE
 2. PLATING:
 - 2.1 CONTACTS: 50u" NICKEL UNDERPLATED OVERALL
1u" GOLD PLATED ON CONTACT AREA
120u" TIN PLATED ON SOLDERTAILS AREA
 3. MECHANICAL:
 - 3.1 MATING FORCE < 22N
 - 3.2 UN-MATING FORCE < 44N (REMOVING LATCH)
 - 3.3 DURABILITY = 750 CYCLES (FOR G/F),
2500 CYCLES (FOR 30u" Au)



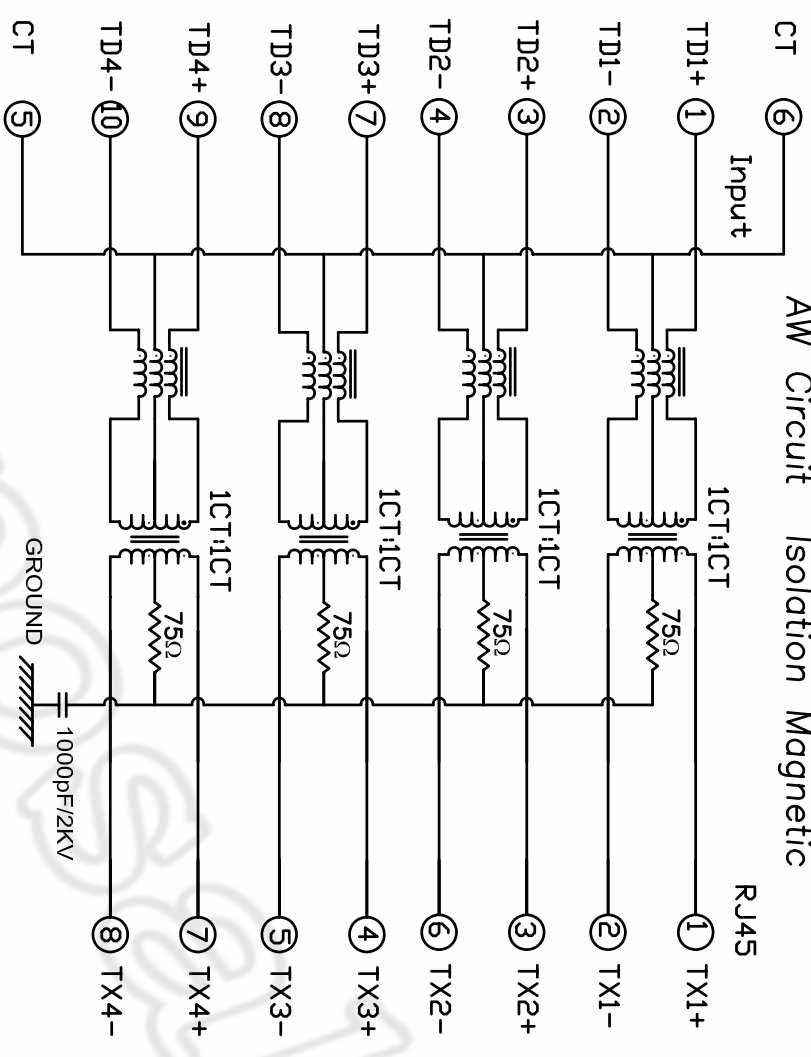
環保標準: 無鹵
 產品塑膠材質: LCP, 黑色
 電鍍規格碼: 鍍半金 1u"
 產品延伸碼
 腳前 3.90
 產品彈片規格: 8彈片
 產品線路規格: AW線路
 LED規格: 左綠橙右黃
 產品序列碼
 產品PORT數: 單PORT
 產品層數: 單層
 主結構碼: 180度全包
 RJF濾波器產品

CUSTOMER DRAWING		Lite		TITLE: Liteconn Co., Ltd.	
-TOLERANCES-				RjF-1000M 180度 無鹵	
UNLESS OTHERWISE SPECIFIED		APPD:		DWG NO: 12711-028AW8C1-14Q	
X.X ±0.35	X.X' ±3'	CHECK:		DATE	SCALE
X.XX ±0.25	X.XX' ±2'	DRAW: ijunbin		12.01.30	1:1
X.XXX ±0.15	X.XXX' ±1'			UNIT	PAGE
				MM	1/2

COMPLIANCE WITH THE REQUIREMENT RoHS HF SONY00259 OTHER
 ※NO USING RESTRICTED AND BANNED SUBSTANCE

Magnetic RJ45 1G

AW Circuit Isolation Magnetic



EMITTING COLOR	LED wavelength	Vf @If=20mA	Ir @V=5V
GREEN	565 nm	1.7~2.6V	10uA max
YELLOW	585 nm	1.7~2.6V	10uA max
ORANGE	610 nm	1.7~2.6V	10uA max

ELECTRICAL CHARACTERISTICS

- TEST NOTES(25°C)
- 1.TR<100kHz,100mV>
- PINS:(P1-P2)<(J1-J2)=1:1±3%;(P3-P4)<(J3-J6)=1:1±3%
- PINS:(P7-P8)<(J4-J5)=1:1±3%;(P9-P10)<(J7-J8)=1:1±3%
- 2.LX<100kHz,100mV,8mA DC Bias>
- PINS:(P1-P2),(P3-P4),(P7-P8),(P9-P10)=350uH MINIMUM
- 3.DCR: _____
- PINS:(J1-J2),(J3-J6),(J4-J5),(J7-J8)=1.5 OHMS MAXIMUM
- 4.HIPDT: _____
- PINS:(P1-P2)TD<(J1-J2),(P3-P4)TD<(J3-J6)=1500VAC FDR 60 SECONDS
- PINS:(P7-P8)TD<(J4-J5),(P9-P10)TD<(J7-J8)=1500VAC FDR 60 SECONDS
- 5.INSERTION LOSS: _____
- 0.8dB MAXIMUM AT 0.3MHZ-100MHZ
- 1.2dB MAXIMUM AT 100MHZ-120MHZ
- 6.RETURN LOSS _____
- 18dB MINIMUM AT 0.5MHZ TD 40MHZ
- 12+20log<f/80MHZ>dB MINIMUM AT 40MHZ TD 100MHZ
- 7.CROSS TALK: _____
- 33+20log<f/100MHZ>dB MINIMUM AT 0.1MHZ TD 100MHZ
- 8.COMMON TD DIFFERENTIAL MODE REJECTION _____
- 35dB MINIMUM AT 0.3MHZ TD 100MHZ
- 9.COMMON TD COMMON MODE REJECTION _____
- 30dB MINIMUM AT 0.3MHZ TD 100MHZ
- 10.OPERATING TEMPERATURE:0°C TD 70°C

COMPLIANCE WITH THE REQUIREMENT RoHS HF SONY00259 OTHER
 *NO USING RESTRICTED AND BANNED SUBSTANCE

CUSTOMER DRAWING		Lite		TITLE: Litecomm Co.,Ltd.	
-TOLERANCES-				RUF1000M 180度 無図	
UNLESS OTHERWISE SPECIFIED		APPD: _____	DWG NO: 12711-028AW8C1-14Q	DATE: 12.01.30	
X.X ±0.35	X.X' ±2	CHECK: _____	DRAW: ijunbin	SCALE: 1:1	UNIT: MM
X.XX ±0.25	X.XX' ±1°	PAGE: 2/2			
X.XXX ±0.15	X.XXX' ±0.5°				