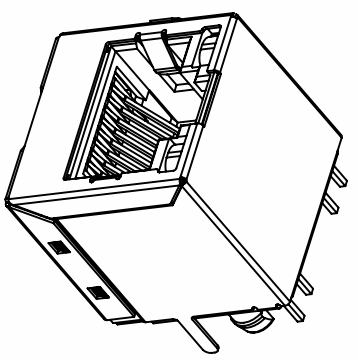
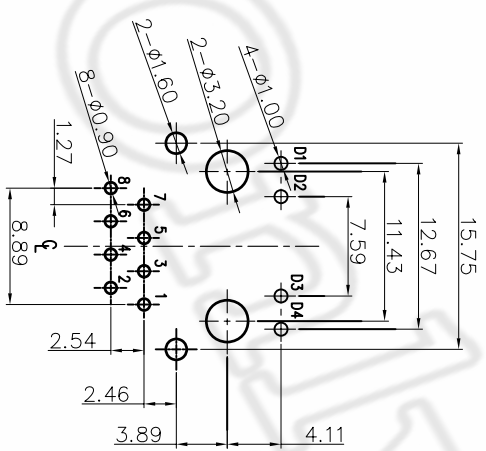
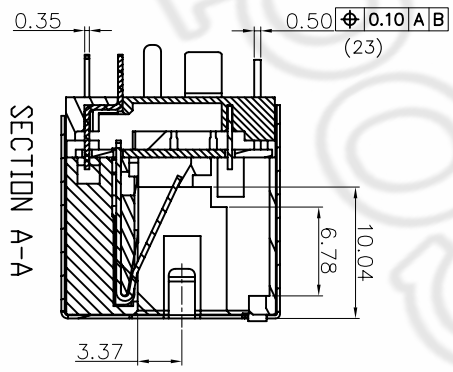
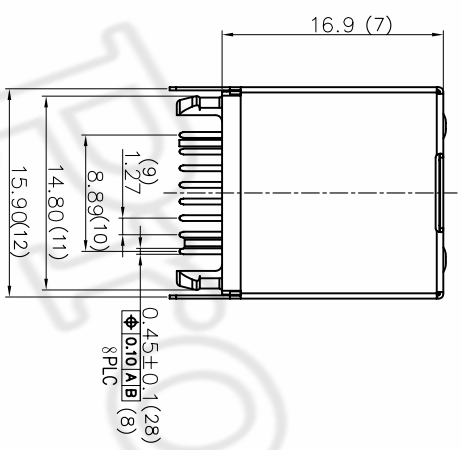
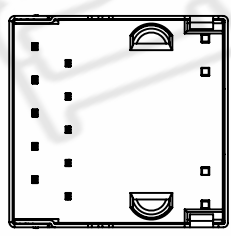
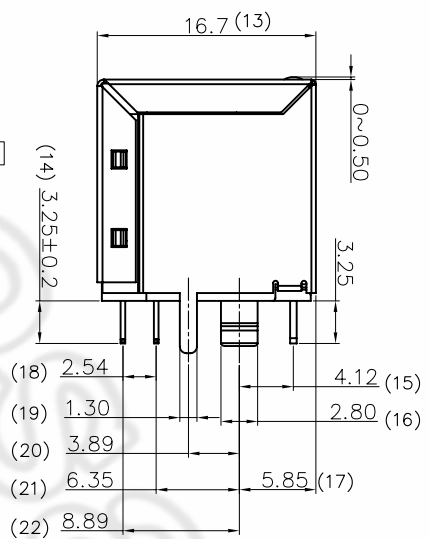
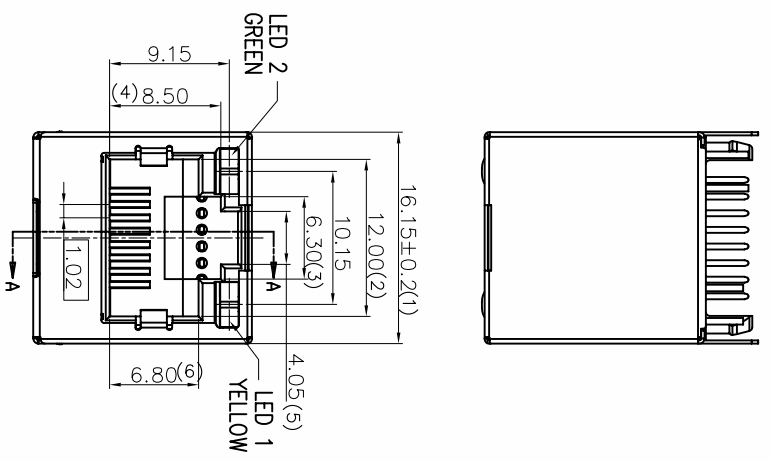


REV	ECONO-NO:	BY	DATE
A0	NEW DWG(101202)	Iijunbin	10.11.25



Product 3D Dwg



SUGGESTED PCB LAYOUT (TOP VIEW)

- NOTE:
1. MATERIALS:
 - 1.1 HOUSING: THERMOPLASTIC POLYESTER;
 - 1.2 SHELL: BRASS
 - 1.3 CONTACT: PHOSPHOR BRONZE

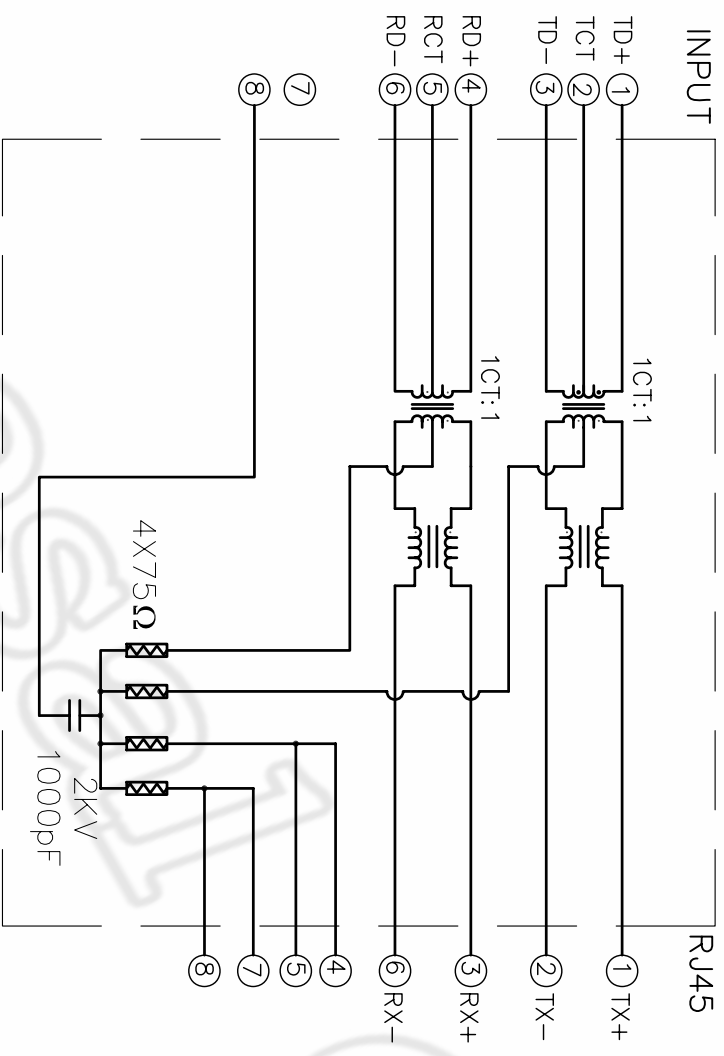
2. PLATING:
- 2.1 SHELL: 30u" NICKEL UNDERPLATED OVERALL
- 2.2 CONTACTS: 50u" NICKEL UNDERPLATED OVERALL
3u" GOLD PLATED ON CONTACT AREA
120u" TIN PLATED ON SOLDERIALS AREA

CUSTOMER DRAWING		Lite Litecomm Co.,Ltd.	
- TOLERANCES - UNLESS OTHERWISE SPECIFIED			TITLE: 180度RJ45型LEDポート 8P8全包装濾波器10/100M(LED特性相応)
X.X ±0.20	X.X' ±2'		DWG NO: 12711-012HN06-21R
X.XX ±0.10	X.XX' ±1'	CHECK:	DATE 2010.11.25
X.XXX ±0.05	X.XXX' ±0.5'	DRAW: Iijunbin	SCALE 1:1
			UNIT MM
			PAGE 1/2

COMPLIANCE WITH THE REQUIREMENT RoHS HF SONY00259 OTHER
 ※ NO USING RESTRICTED AND BANNED SUBSTANCE

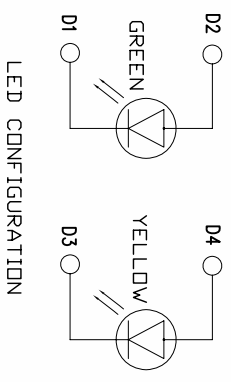
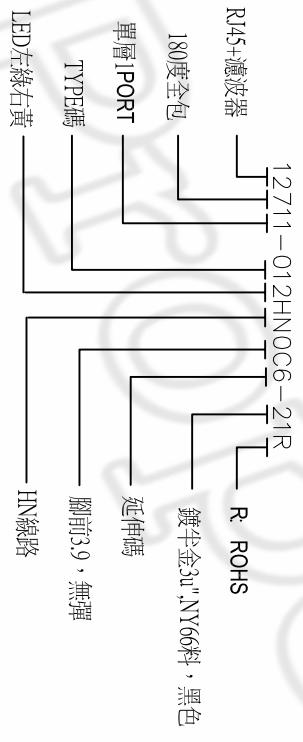
REV	ECONO:	BY	DATE
A0	NEW DWG(101202)	lijunbin	10.11.25

SCHEMATIC
HN Circuit Isolation Magnetic



ELECTRICAL CHARACTERISTICS

- TEST NOTES:(25±5°C)
- 1.TR<(100kHz,100mV)
- PINS<P1-P3>(J1-J2)=11±3%
- PINS<P4-P6>(J3-J6)=11±3%
- 2.LX<(100kHz,100mV,8mA DC Bias)
- PINS<P1-P3>(P4-P6)=350uH MINIMUM
- 3.DCR:
- PINS<J1-J2>(J3-J6)=1.2 OHMS MAXIMUM
- 4.HIPDT:
- PINS<P1-P2-P3>TD(J1-J2)=1000VAC FOR 60 SECONDS
- PINS<P4-P5-P6>TD(J3-J6)=1000VAC FOR 60 SECONDS
- 5.INSERTION LOSS:
- 10dB MAXIMUM AT 0.3MHz-100MHz
- 6.RETURN LOSS
- 20dB MINIMUM AT 1MHz TD 30MHz
- 15dB MINIMUM AT 30MHz TD 60MHz
- 10dB MINIMUM AT 60MHz TD 80MHz
- 7.CROSS TALK:
- 30dB MINIMUM AT 1MHz TD 100MHz
- 8.COMMON TO COMMON MODE REJECTION:
- 30dB MINIMUM AT 1MHz TD 100MHz
- 9.OPERATING TEMPERATURE:0°C TD +70°C



COMPLIANCE WITH THE REQUIREMENT RoHS HF SONY00259 OTHER
 ※ NO USING RESTRICTED AND BANNED SUBSTANCE

CUSTOMER DRAWING		Lite		TITLE: 180度RJ45單層單PORT	
-TOLERANCES-				8P8全包帶濾波器10/100M(LED極性相反)	
UNLESS OTHERWISE SPECIFIED				DWG NO: 12711-012HNOC6-21R	
X.X ±0.20	X.X' ±2°	APPD:		DATE	SCALE
X.XX ±0.10	X.XX' ±1°	CHECK:		2010.11.25	1:1
X.XXX ±0.05	X.XXX' ±0.5°	DRAW: lijunbin		UNIT	PAGE
				MM	2/2