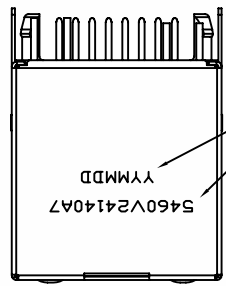
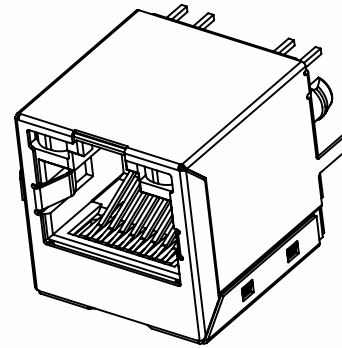


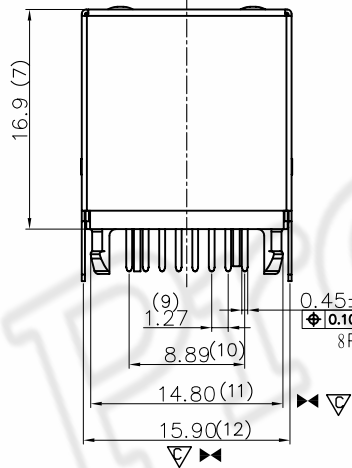
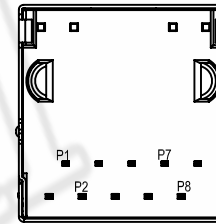
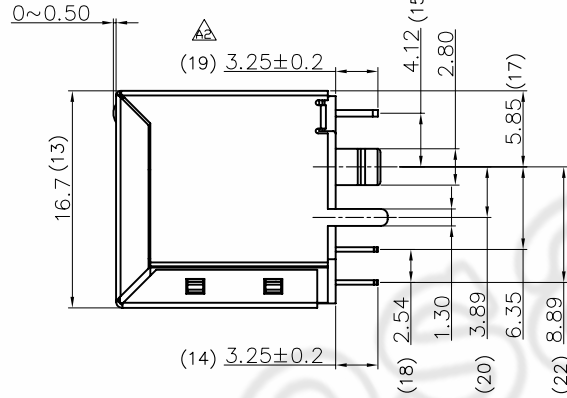
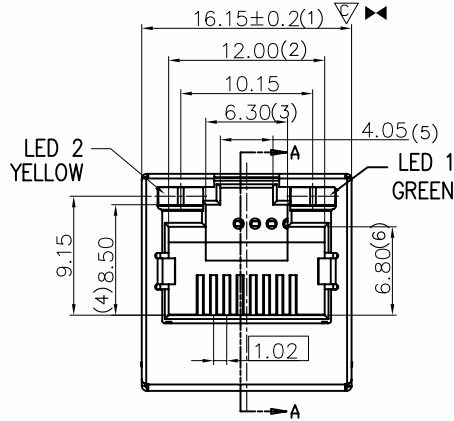
REV	ECN. NO:	BY	DATE
A0	NEW DWG110210	曾國勝	11.02.14
A1	增加D/C及客戶料號噴碼 極性設變110417	李俊彬	11.04.12
A2	新增燈腳尺寸管控T110909	李俊彬	11.09.20



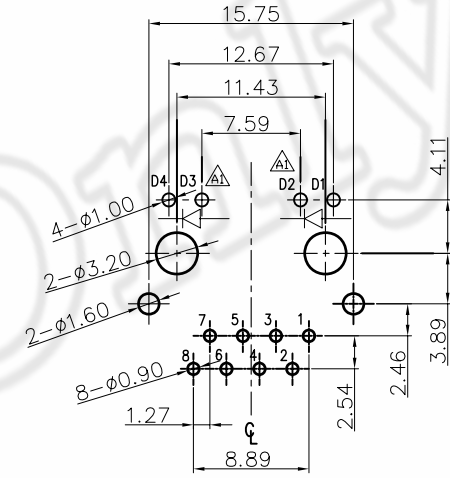
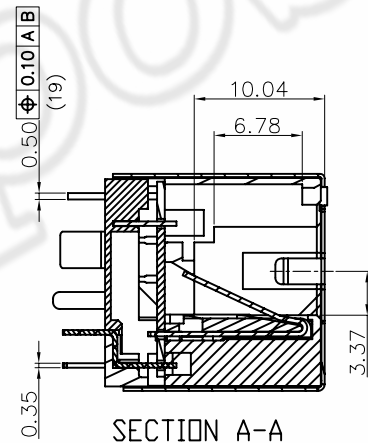
噴碼部分(客戶料號, 生產日期)



Product 3D Dwg



0.45±0.1(16)
0.10(A)B(8)
8PLC



SUGGESTED PCB LAYOUT
(TOP VIEW)

NO.	DESCRIPTION	MATERIAL	COLOR	REMARK
7	SHELL	Copper Alloy		NI PLATED
6	MODE CONTACT	Copper Alloy		TIN PLATED
5	OUTPUT CONTACT	Copper Alloy		GOLD/TIN PLATED
4	INPUT CONTACT	Copper Alloy		TIN PLATED
3	COVER	THERMOPLASTIC	BLACK	UL 94V-0
2	BASE	THERMOPLASTIC	BLACK	UL 94V-0
1	HOUSING	THERMOPLASTIC	BLACK	UL 94V-0

CUSTOMER DRAWING				LITE LiTECONN Co., Ltd.			
-TOLERANCES- UNLESS OTHERWISE SPECIFIED				TITLE: 180 MAG45 1*1 全色+LED			
X. X	±0.35	X. X°	±3°	APPD:	DWG NO: 12711-011000C1-31R		
X. XX	±0.25	X. XX°	±1°	CHECK:	DATE	SCALE	UNIT
X. XXX	±0.15	X. XXX°	±0.5°	DRAW: 曾國勝	11.02.14	FREE	mm
					PAGE		
					1/2		

COMPLIANCE WITH THE REQUIREMENT RoHS HF SONY00259 OTHER
* NO USING RESTRICTED AND BANNED SUBSTANCE

REV	ECN. NO:	BY	DATE
A0	NEW DWG110210	曾國勝	11.02.14
A1	增加D/C及客戶料號噴碼 極性設變110417	李俊彬	11.04.12
A2	新增燈腳尺寸管控T110909	李俊彬	11.09.20

SCHEMATIC

INPUT

RJ45



NOTE:

1.MATERIALS:

- 1.1 HOUSING: PBT4830 WITH 30% G.F, UL94 V-0; COLOR: BLACK
- 1.2 BASE: PA46 WITH 30% G.F, UL94 V-0; COLOR: BLACK
- 1.3 STOPPER: PA66 WITH 30% G.F, UL94 V-0; COLOR: BLACK
- 1.4 SHELL: BRASS C2680, T=0.25±0.01mm.
- 1.5 RJ CONTACT: COPPER ALLOY C5210, T=0.35±0.02mm.
- 1.6 JOINT CONTACT: BRASS C2680, T=0.35±0.02mm.

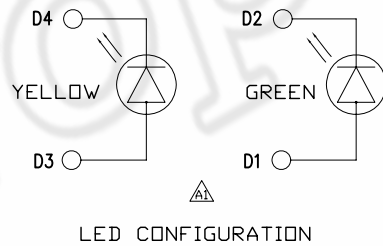
2.PLATING:

- 2.1 SHELL: 30u" NICKEL UNDERPLATED OVERALL
- 2.2 CONTACTS: 50u" NICKEL UNDERPLATED OVERALL
6u" GOLD PLATED ON CONTACT AREA
120u" TIN PLATED ON SOLDERTAILS AREA

3. 相鄰PIN之間測試DC500V, 1mA, 1Sec, 然後測試DCR, 要求≤0.1Ω

4. 12711-011000C1-31R

- 環保標準: ROHS
- 產品材質: 內主體PA66, BK
- 電鍍規格碼: 鍍半金6u"
- 產品延伸碼
- 腳距3.89mm
- 產品彈片規格: 無彈片
- 產品線路規格: 00線路
- LED規格: 左黃右綠
- 產品序列碼
- 產品PORT數: 單PORT
- 產品層數: 單層
- 主結構碼: 扁針180度全包
- RJ45濾波器產品



COMPLIANCE WITH THE REQUIREMENT RoHS HF SONY00259 OTHER
 ※ NO USING RESTRICTED AND BANNED SUBSTANCE

CUSTOMER DRAWING				LITE LiTECONN Co., Ltd.				
-TOLERANCES- UNLESS OTHERWISE SPECIFIED						TITLE: 180 MAG45 1*1 全包+LED		
X. X	±0.20	X. X°	±3°	APPD:	DWG NO: 12711-011000C1-31R			
X. XX	±0.10	X. XX°	±1°	CHECK:	DATE	SCALE	UNIT	PAGE
X. XXX	±0.05	X. XXX°	±0.5°	DRAW: 曾國勝	11.02.14	FREE	mm	2/2