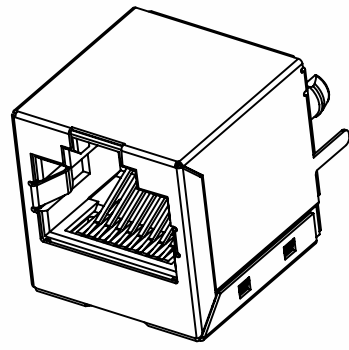
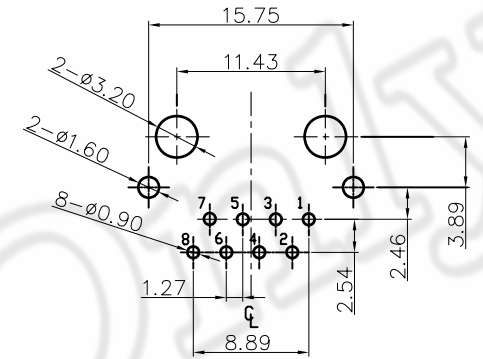


REV	ECN. NO:	BY	DATE
A0	NEW DWG T11202	lijunbin	11/11/28



Product 3D Dwg

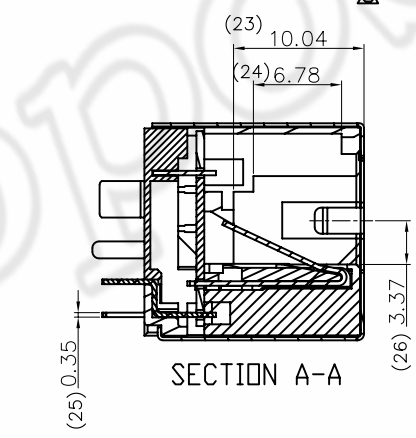
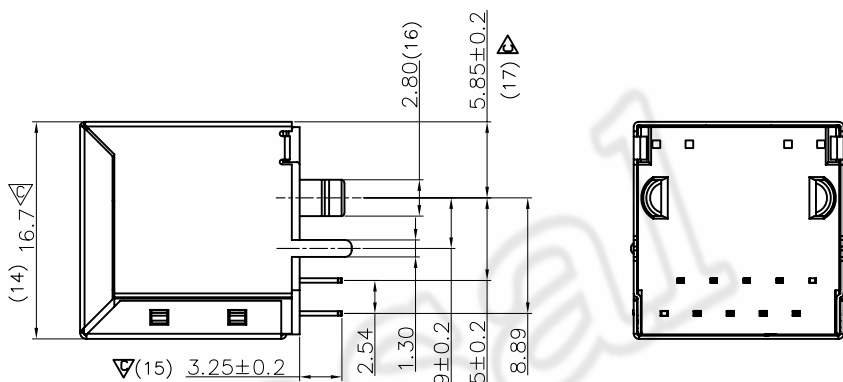
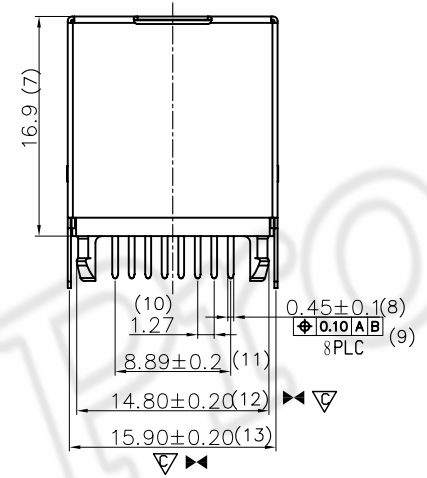
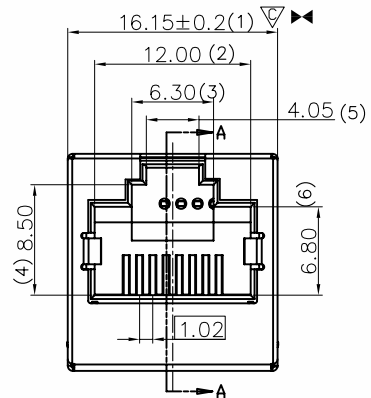
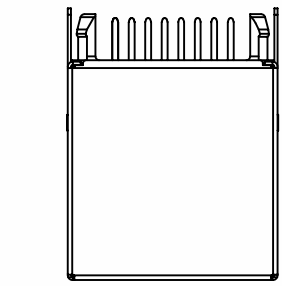
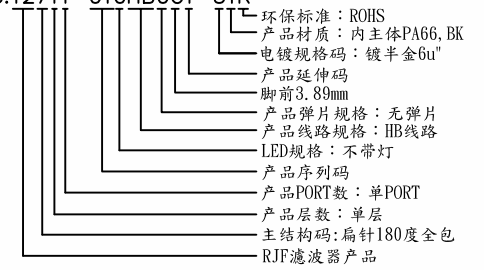


SUGGESTED PCB LAYOUT  
(TOP VIEW)

NOTE:

- 1.MATERIALS:
  - 1.1 HOUSING: THERMOPLASTIC POLYESTER;
  - 1.2 SHELL: BRASS
  - 1.3 CONTACT: PHOSPHOR BRONZE
- 2.PLATING:
  - 2.1 SHELL: 30u" NICKEL UNDERPLATED OVERALL
  - 2.2 CONTACTS: 50u" NICKEL UNDERPLATED OVERALL  
6u" GOLD PLATED ON CONTACT AREA  
120u" TIN PLATED ON SOLDERTAILS AREA

3.12711-010HBOC1-31R



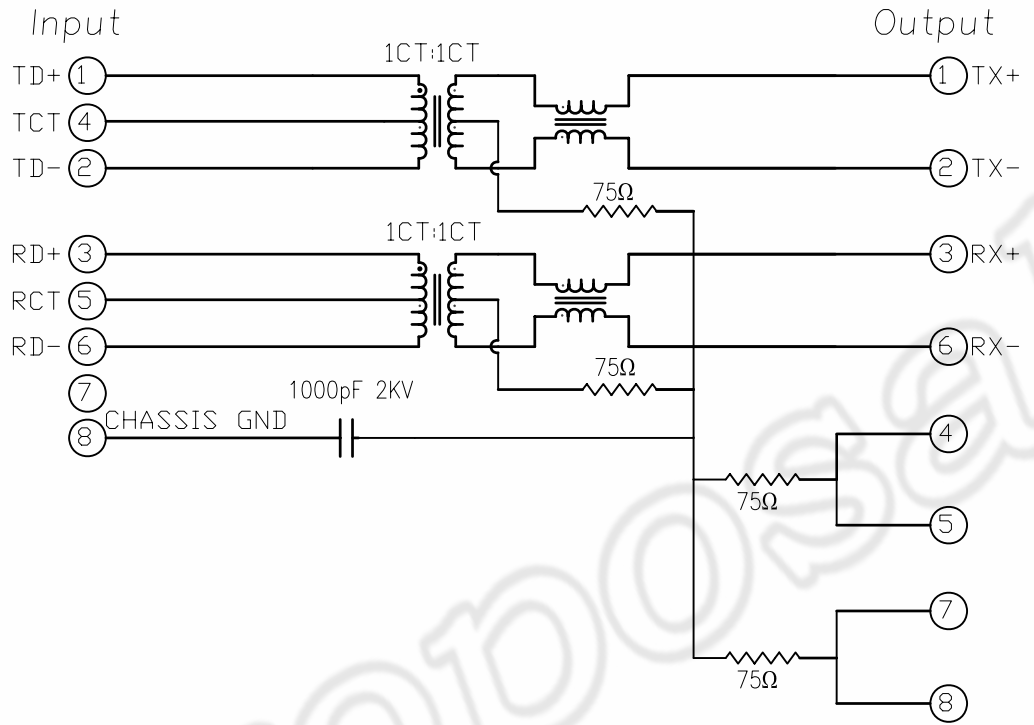
- ▽ SHOWS QIP INSPECTION POINT(重点管控尺寸)
- ⊙ SHOWS FAI MEASUREMENT POINT
- ◀◀ SHOWS CPK MEASUREMENT POINT

COMPLIANCE WITH THE REQUIREMENT  RoHS  HF  SONY00259  OTHER  
 ※ NO USING RESTRICTED AND BANNED SUBSTANCE

CUSTOMER DRAWING		<b>LITE</b> LiTECONN Co., Ltd.			
-TOLERANCES- UNLESS OTHERWISE SPECIFIED			TITLE: RJF單層單PORT8P8全包+濾波器		
X.X	±0.35	X.X°	±3°	APPD:	
X.XX	±0.25	X.XX°	±1°	CHECK:	
X.XXX	±0.15	X.XXX°	±0.5°	DRAW: lijunbin	
				DWG NO: 12711-010HBOC1-31R	
		DATE	SCALE	UNIT	PAGE
		11/11/28	FREE	MM	1/2

REV	ECN. NO:	BY	DATE
A0	NEW DWG T11202	lijunbin	11/11/28

HB Circuit Isolation Magnetic



NOTE 1:

1. MATERIALS:

HOUSING: THERMOPLASTIC POLYESTER, BLACK;  
 RJ CONTACT: PHOSPHOR BRONZE, T=0.35±0.02mm.  
 JOINT CONTACT: BRASS, T=0.30±0.02mm.  
 SHELL: BRASS, T=0.20±0.01mm.

2. PLATING:

RJ CONTACTS: SELECT GOLD PLATED OVER NICKEL UNDERPLATED OVERALL  
 JOINT CONTACTS: TIN PLATED OVER NICKEL UNDERPLATED OVERALL  
 SHELL: NICKEL UNDERPLATED OVERALL

3. SPECIFICATION:

OPERATING TEMPERATURE : 0°C~+70°C  
 STORAGE: -40°C~+85°C  
 DURABILITY: 750 CYCLES MIN  
 TYPE: BALANCE LOW PASS 100 IMPEDANCE  
 INSERTION LOSS: 1~100MHz-1.0dB MAX.  
 RETURN LOSS: 1~30MHz-18dB MIN.  
 30~60MHz-16dB MIN.  
 60~80MHz-12dB MIN.

CROSS TALK: @1~100MHz-35dB MIN.

COMMON MODE REJECTION: @1~100 MHz-30dB MIN

INDUCTANCE AT 100KHz 100mV, 8mA DC BIAS: 350uH MIN.

HI-POT: 1000Vrms (INPUT TO OUTPUT)

COMPLIANCE WITH THE REQUIREMENT  RoHS  HF  SONY00259  OTHER  
 ※ NO USING RESTRICTED AND BANNED SUBSTANCE

CUSTOMER DRAWING		<b>LITE</b> LiTECONN Co., Ltd.			
-TOLERANCES- UNLESS OTHERWISE SPECIFIED				TITLE: RJF單層單PORT8P8全包+濾波器	
X.X ±0.35	X.X° ±8°	APPD:	DWG NO: 12711-010HB0C1-31R		
X.XX ±0.25	X.XX° ±1°	CHECK:	DATE	SCALE	UNIT
X.XXX ±0.15	X.XXX° ±0.5°	DRAW: lijunbin	11/11/28	AS SHOW	MM
					PAGE
					2/2