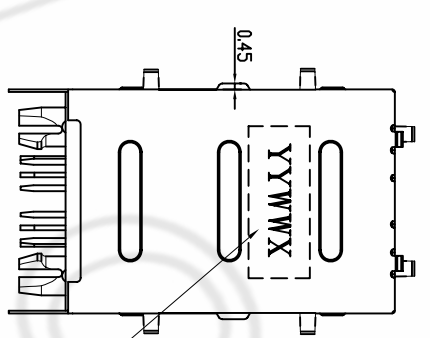
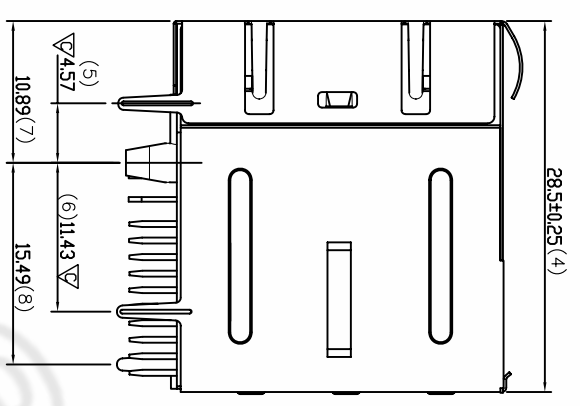
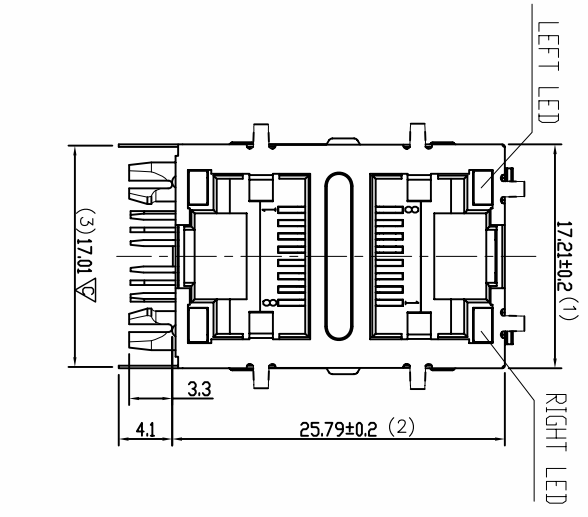
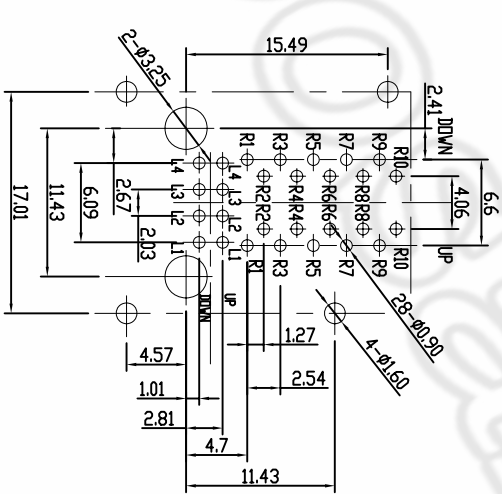
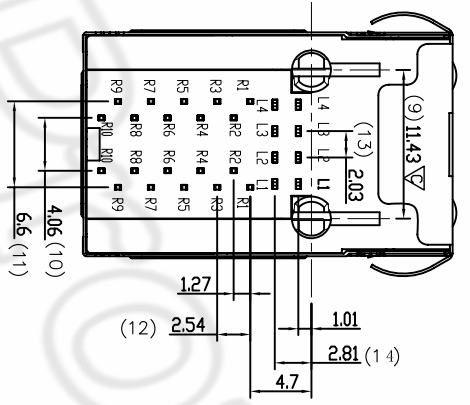


REV	ECN NO.	BY	DATE
A0	NEW DWG(T110404)	ijunbin	11.05.09
A1	1)六鐵腳改為四鐵腳 2)加高鐵殼卡扣點尺寸 3)手誤PA16改成PA66	ijunbin	11.06.17



噴五碼 (年, 周, 線別)



PCB BOARD LAYOUT

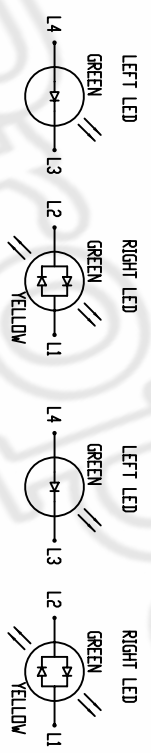
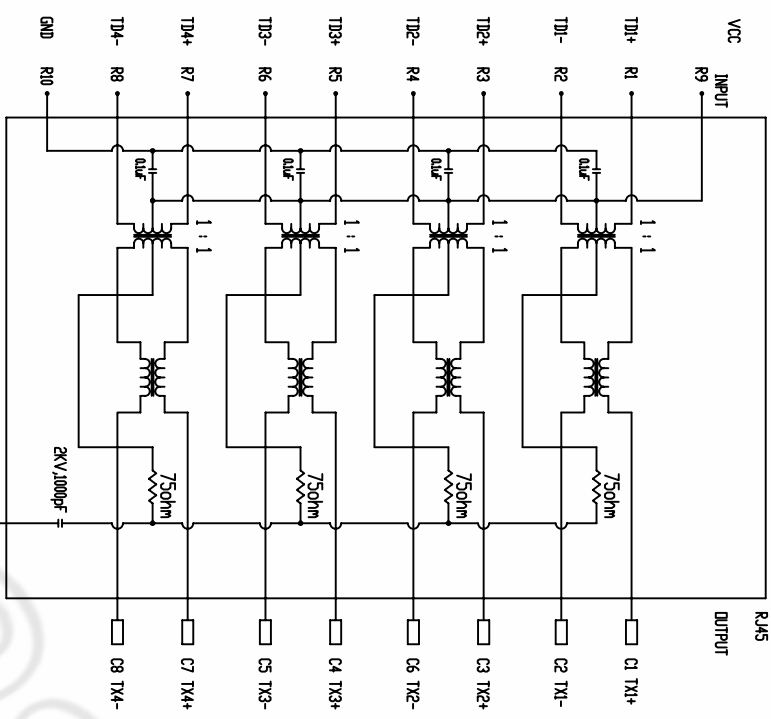
COMPLIANCE WITH THE REQUIREMENT OF ROHS, HF, SDNY00259, OTHER
 ※ NO USING RESTRICTED AND BANNED SUBSTANCE

A	B	C	D	E	F	G	1	2	3	4	5	6	7	8	9	10
---	---	---	---	---	---	---	---	---	---	---	---	---	---	---	---	----

CUSTOMER DRAWING		Lite Litecomm Co.,Ltd.	
-TOLERANCES-			
UNLESS OTHERWISE SPECIFIED			
X.X ±0.35	X.X' ±3°	APPD:	DWG NO: 12421-00EAA490-33R
X.XX ±0.25	X.XX' ±2°	CHECK:	DATE SCALE UNIT PAGE
X.XXX ±0.15	X.XXX' ±1°	DRAW: ijunbin	2011.05.09 FIT MM 1/3

- Contact : Phosphor Bronze C5210, Thickness=0.35mm plated Nickel 30u" Min, Gold plated on contact area 30u"
- Input Terminal : Brass (C2680), Thickness=0.35mm Finish : 30u" min Nickel Tin over 100u" min.
- Shell: Copper alloy with Nickel plated(C2680), Thickness=0.20mm Ni 30u" Min

SHEMATIC DR



Standard LED color	LED wavelength	Forward (V MAX)	Typical (V TYP)	Forward current
GREEN	560-580 nm	2.5V	2.1-2.2V	20mA MAX
YELLOW	580-610 nm	2.5V	2.1-2.2V	20mA MAX

COMPLIANCE WITH THE REQUIREMENT OF ROHS OF HF OF SONV00259 OF OTHER
 ※ NO USING RESTRICTED AND BANNED SUBSTANCE

Feature:

- LAN interface suitable for 10/100/1000Base-T applications
- 2x1 RJ45 design saves on PCB real estate
- Meets IEEE 802.3 specification
- High performance for maximum EMI suppression
- Housing: Thermoplastic PA66 UL94V0 rated, thermostability 260°C
- Operating temperature: 0°C to +70°C
- Storage temperature: -40°C to +85°C

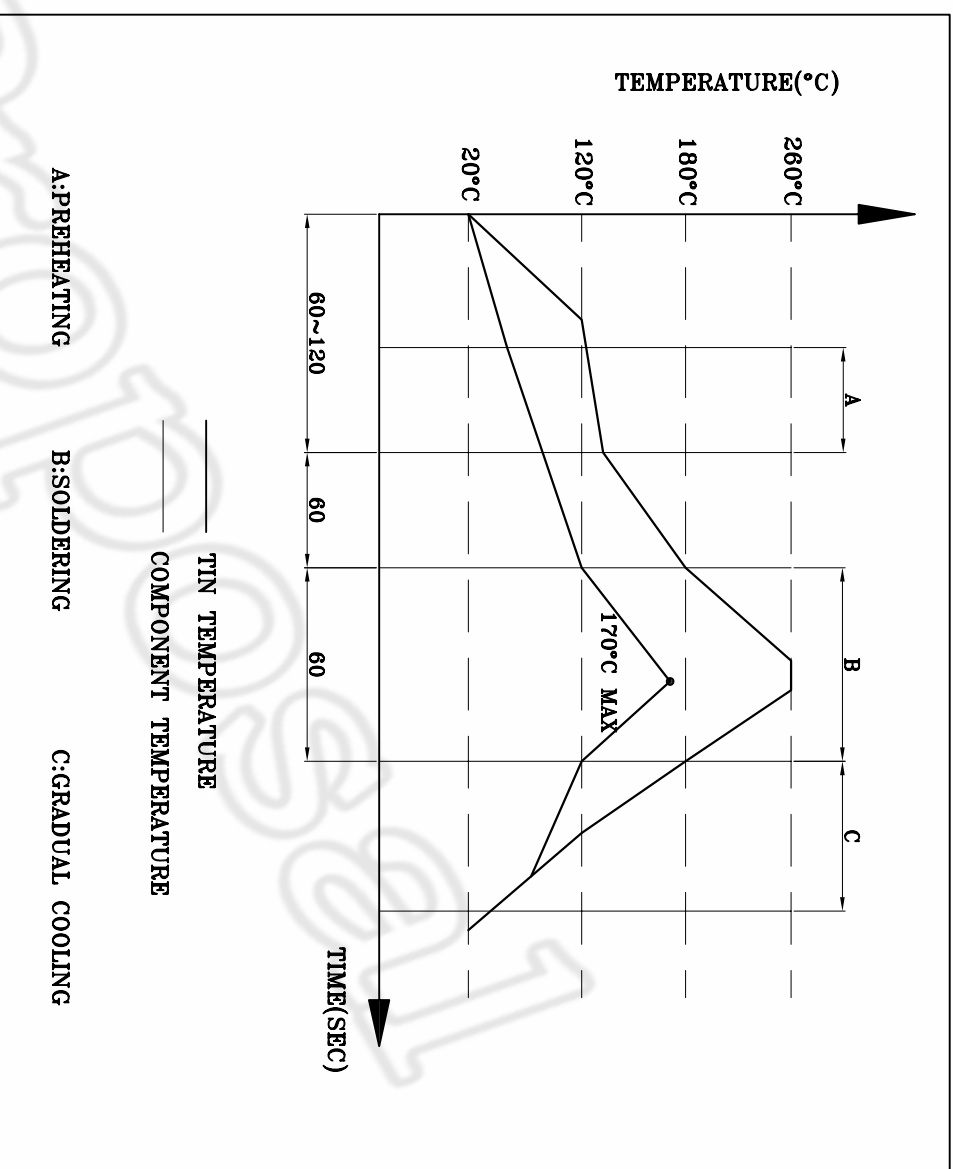
Electrical Specifications: (25°C)

- Turns Ratio:
 - P1-P2: J1-J2 = 1:1± 5%
 - P3-P4: J3-J6 = 1:1± 5%
 - P5-P6: J4-J5 = 1:1± 5%
 - P7-P8: J7-J8 = 1:1± 5%
- Insertion Loss:
 - @1~100 MHz : -1.1dB Max
- Return Loss:
 - @1~30MHz : -18dB Min
 - @30~60MHz : -16dB Min
 - @60~100MHz : -12dB Min
- Common Mode Rejection:
 - @1~100 MHz: -30dB Min
- Crosstalk:
 - @1~30MHz : -40dB Min
 - @30~60MHz : -35dB Min
 - @60~100MHz : -30dB Min
- OCL:
 - @100KHz, 0.1V, 8mADC : 350uH Min
- Hi-Pot : 1500VAC, 1mA, 2 S

REV	ECN NO.	BY	DATE
A0	NEW DWG(T110404)	lijunbin	11.05.09
A1	1)六鐵腳改為四鐵腳 2)加高鐵殼卡扣點尺寸 3)手誤PA46改成PA66	lijunbin	11.06.17

CUSTOMER DRAWING		Litecomm Co.,Ltd.	
-TOLERANCES-			
UNLESS OTHERWISE SPECIFIED		APPD:	TITLE: R445 2*1 WITH GGABIT TRANSFORMER
X.X ±0.35	X.X' ±3°	CHECK:	DWG NO: 12421-00EAA490-33R
X.XX ±0.25	X.XX' ±2°	DRAW: lijunbin	DATE
X.XXX ±0.15	X.XXX' ±1°		SCALE
			UNIT
			FIT
			MM
			PAGE
			2/3

PROFILE OF WAVE SOLDER:



SUGGESTED WAVE SOLDER CURVE

- (1) TIP TEMPERATURE:260±5°C
- (2) TIP TEMPERATURE TIME:5 SEC MAX

REV	ECN.NO:	BY	DATE
A0	NEW DWG(T110404)	ijunbin	11.05.09
A1	1)六線腳改為四線腳 2)加高鐵殼卡扣點尺寸 3)手謄PA46改成PA66	ijunbin	11.06.17

CUSTOMER DRAWING				TITLE: Liteconn Co.,Ltd.	
-TOLERANCES-				R145 2*1 WITH GIGABIT TRANSFORMER	
UNLESS OTHERWISE SPECIFIED		APPD:	CHECK:	DWG NO:	12421-00EAA490-33R
X.X ±0.35	X:X' ±2°			DATE	2011.05.09
X.XX ±0.25	X:XX' ±1°			SCALE	1:1
X.XXX ±0.15	X.XXX' ±0.5°	DRAW:	ijunbin	UNIT	MM
				PAGE	3/3

COMPLIANCE WITH THE REQUIREMENT OF ROHS OF HF OF SDNV00259 OF OTHER
 ※ NO USING RESTRICTED AND BANNED SUBSTANCE