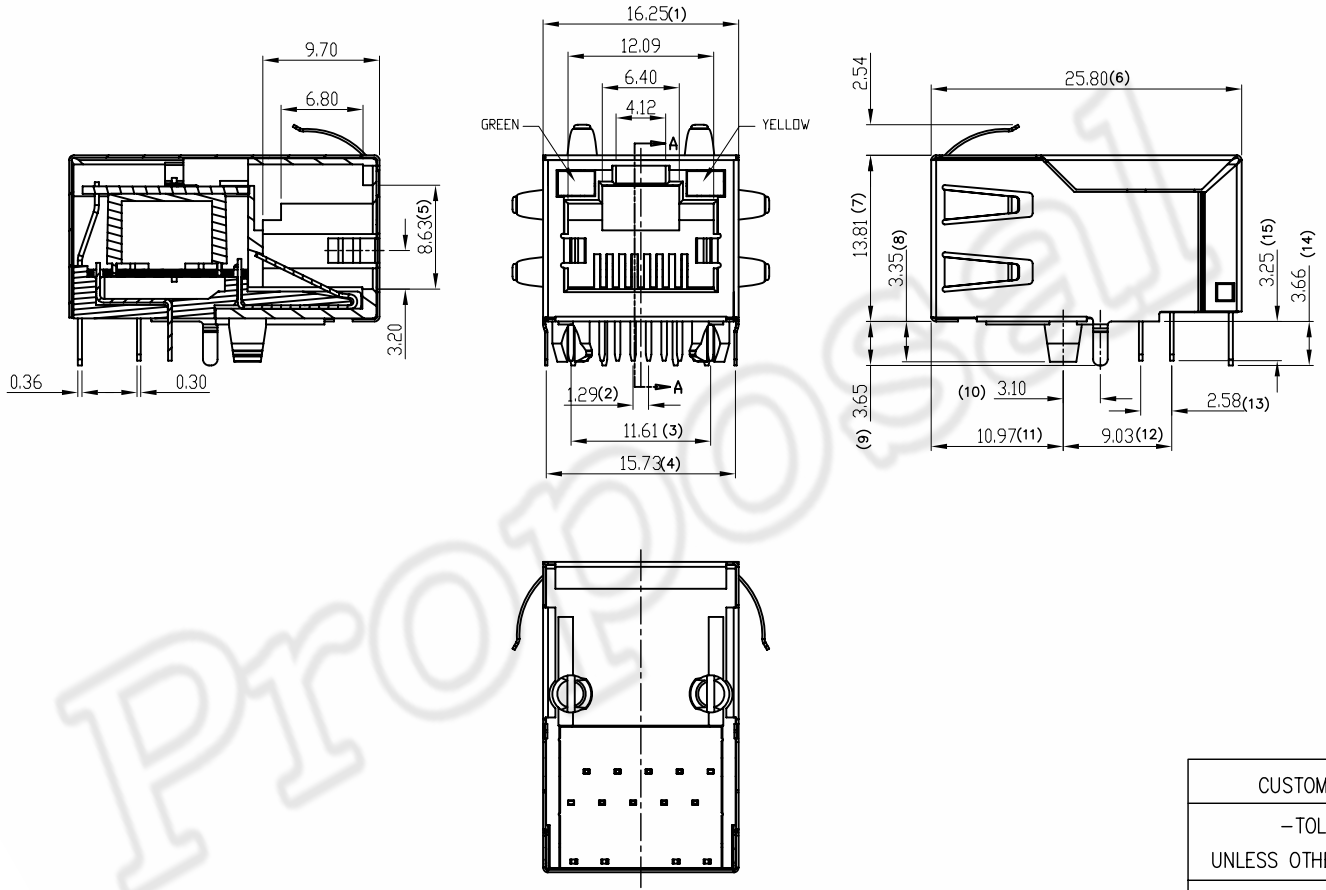
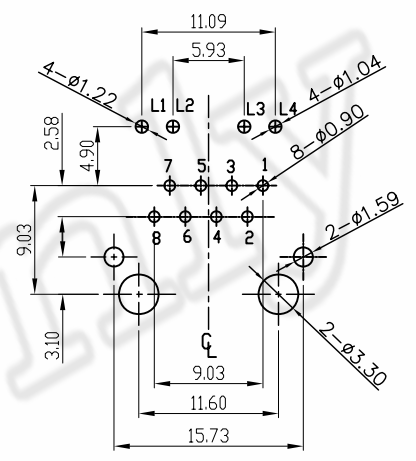
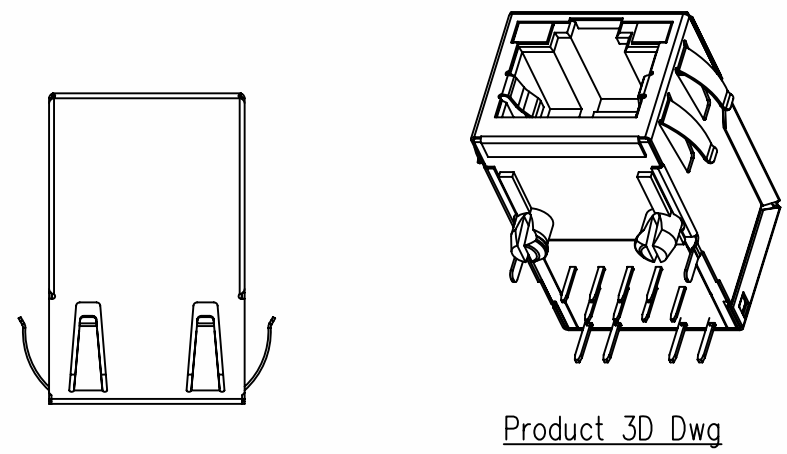
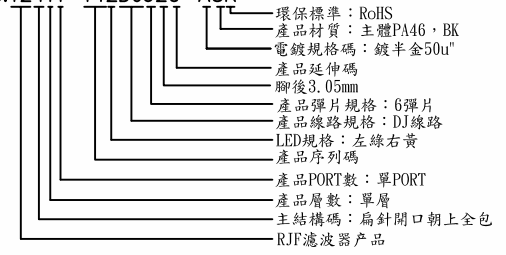


REV	ECN.NO:	BY	DATE
A0	NEW DWG(T110802)	lijunbin	11.07.26



NOTE:

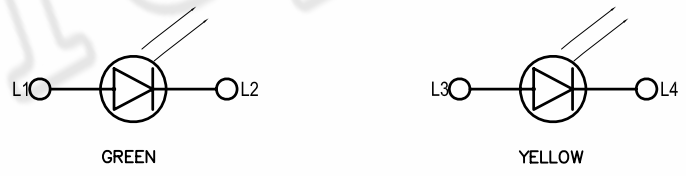
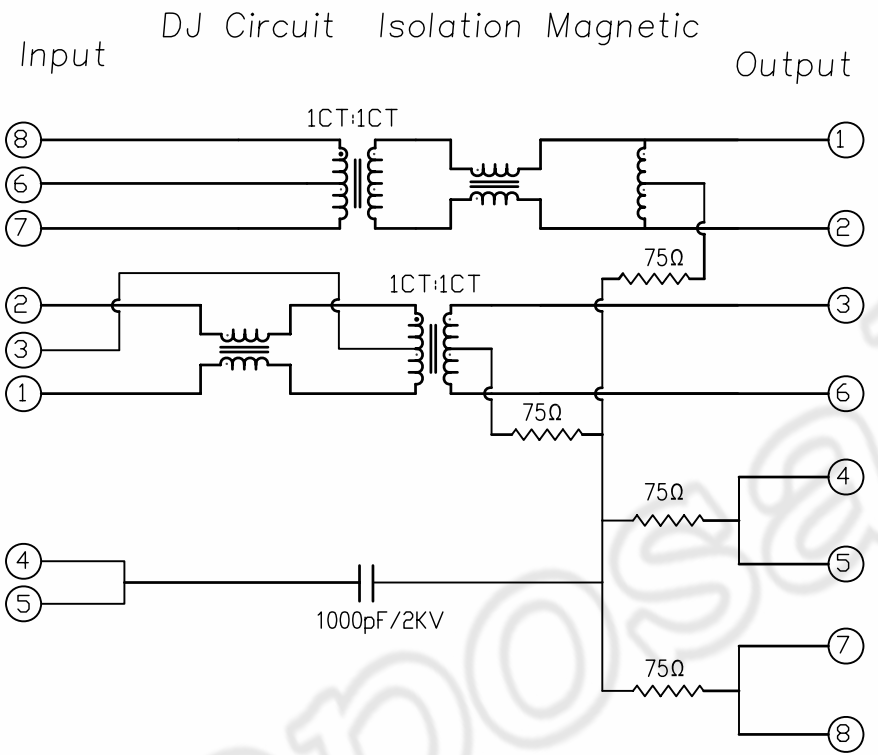
- 1.MATERIALS:
 1.1 HOUSING: THERMOPLASTIC POLYESTER;
 1.2 SHELL: BRASS
 1.3 CONTACT: PHOSPHOR BRONZE
- 2.PLATING:
 2.1 SHELL: 30u" NICKEL UNDERPLATED OVERALL
 2.2 CONTACTS: 50u" NICKEL UNDERPLATED OVERALL
 50u" GOLD PLATED ON CONTACT AREA
 120u" TIN PLATED ON SOLDER TAILS AREA
- 3.12411-142DJ620-A3R



COMPLIANCE WITH THE REQUIEMENT RoHS HF SONY00259 OTHER
 ※ NO USING RESTRICTED AND BANNED SUBSTANCE

CUSTOMER DRAWING			Liteconn Co.,Ltd.					
-TOLERANCES- UNLESS OTHERWISE SPECIFIED				TITLE: RJF單層單PORT8P8全包+濾波器+LED燈				
X.X	±0.35	X.X*	±3*	APPD:	DWG NO: 12411-142DJ620-A3R			
X.XX	±0.25	X.XX*	±2*	CHECK:	DATE	SCALE	UNIT	PAGE
X.XXX	±0.15	X.XXX*	±1*	DRAW: lijunbin	11.07.26	1:1	MM	1/2

REV	ECN.NO:	BY	DATE
A0	NEW DWG(T110802)	lijunbin	11.07.26



ELECTRICAL CHARACTERISTICS

TEST NOTES(25±5°C)	
1. TR: (100kHz, 100mV)	
PINS: ((P8-P7): (J1-J2)=1:1±3%	
PINS: (P2-P1): (J3-J6)=1:1±3%;	
2. LX: (100kHz, 100mV, 8mA DC Bias)	
PINS: (P8-P7), (P2-P1)=350uH MINIMUM	
3. DCR:	
PINS: (J1-J2), (J3-J6)=1.4 OHMS MAXIMUM	
4. HIPOT:	
PINS: (P8-P7)TO(J1-J2)=1500VAC FOR 1 SECONDS	
PINS: (P2-P1)TO(J3-J6)=1500VAC FOR 1 SECONDS	
5. INSERTION LOSS:	
-1.2dB MAXIMUM AT 1MHz-100MHz	
6. RETURN LOSS	
-18dB MINIMUM AT 1MHz TO 30MHz	
-(18-20LOG(f/30MHz))dB MINIMUM AT 30MHz TO 60MHz	
-12dB MINIMUM AT 60MHz TO 80MHz	
7. CROSS TALK:	
-30+20LOG(f/100MHz)dB MINIMUM AT 1MHz TO 100MHz	
8. COMMON TO COMMON MODE REJECTION	
-30dB MINIMUM AT 1MHz TO 100MHz	
9. OPERATING TEMPERATURE: 0°C TO 70°C	

CUSTOMER DRAWING		LITE Liteconn Co.,Ltd.	
-TOLERANCES- UNLESS OTHERWISE SPECIFIED		TITLE: RJF單層單PORT8P8全包+濾波器+LED燈	
X.X ±0.35	X.X* ±3'	APPD:	DWG NO: 12411-142DJ620-A3R
X.XX ±0.25	X.XX* ±2'	CHECK:	DATE: 11.07.26
X.XXX ±0.15	X.XXX* ±1'	DRAW: lijunbin	SCALE: 1:1
			UNIT: MM
			PAGE: 2/2

COMPLIANCE WITH THE REQUIEMENT RoHS HF SONY00259 OTHER
 ※ NO USING RESTRICTED AND BANNED SUBSTANCE