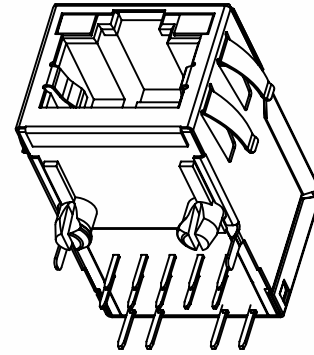
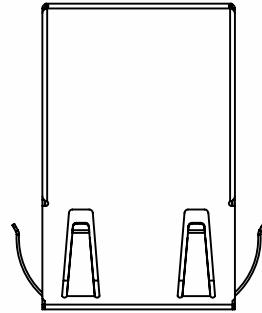
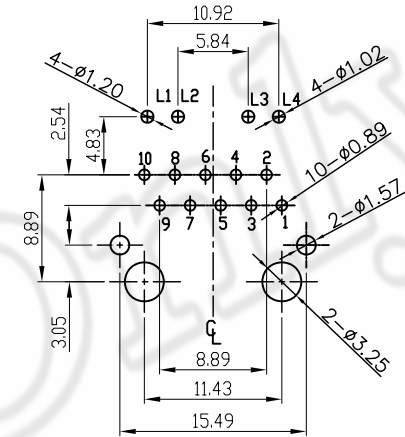


REV	ECN. NO:	BY	DATE
AO	NEW DWG(111017)	Joe Chen	11. 10. 12



Product 3D Dwg



**SUGGESTED PCB LAYOUT
(TOP VIEW)**

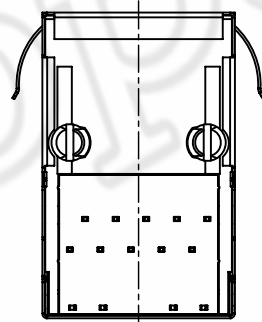
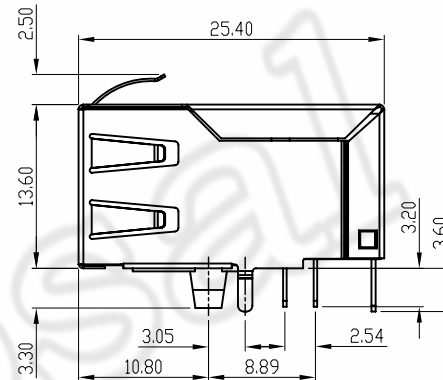
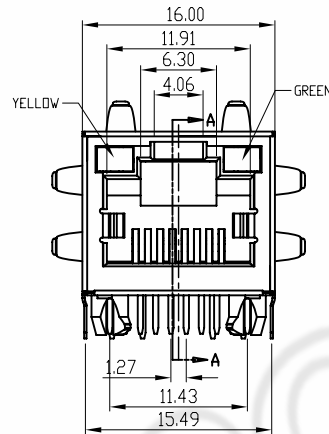
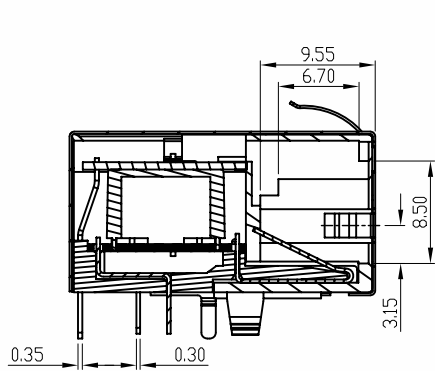
NOTE:

1.MATERIALS:

- 1.1 HOUSING: THERMOPLASTIC POLYESTER;
- 1.2 SHELL: BRASS
- 1.3 CONTACT: PHOSPHOR BRONZE

2.PLATING:

- 2.1 SHELL: 30u" NICKEL UNDERPLATED OVERALL
- 2.2 CONTACTS: 50u" NICKEL UNDERPLATED OVERALL
50u" GOLD PLATED ON CONTACT AREA
120u" TIN PLATED ON SOLDERTAILS AREA



3.12411-141AH620-33R

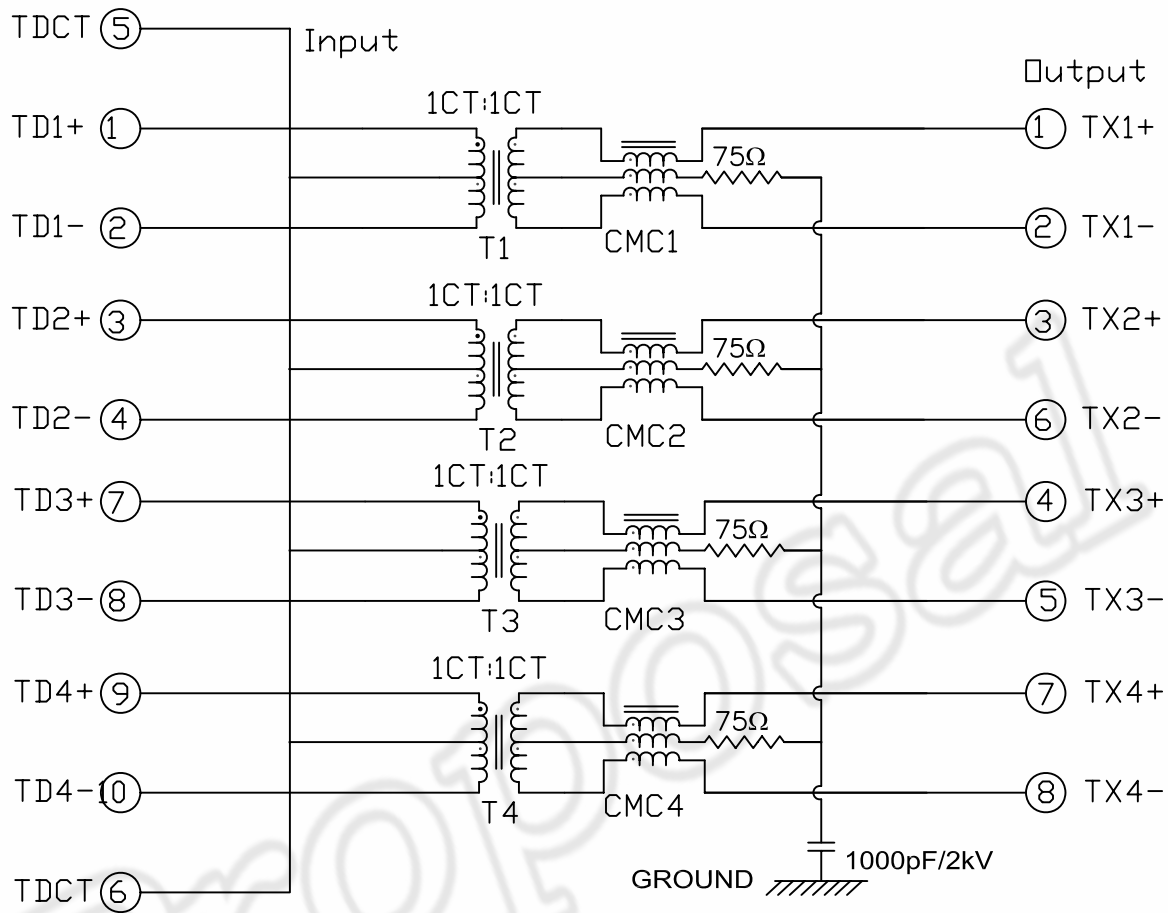
- 環保標準: RoHS
- 產品材質: 主體PA46, BK
- 電鍍規格碼: 鍍半金6u"
- 產品延伸碼
- 腳後3.05mm
- 產品彈片規格: 6彈片
- 產品線路規格: AH線路
- LED規格: 左黃右綠
- 產品序列碼
- 產品PORT數: 單PORT
- 產品層數: 單層
- 主結構碼: 扁針開口朝上全包
- RJ45濾波器產品

COMPLIANCE WITH THE REQUIREMENT RoHS HF SONY00259 OTHER
* NO USING RESTRICTED AND BANNED SUBSTANCE

CUSTOMER DRAWING		LITE Liteconn Co.,Ltd.	
-TOLERANCES- UNLESS OTHERWISE SPECIFIED		TITLE: RJ45單層單PORT10P8全包+濾波器+LED燈	
X.X ±0.35	X.X* ±3°	APPD:	DWG NO: 12411-141AH620-33R
X.XX ±0.25	X.XX* ±2°	CHECK:	DATE
X.XXX ±0.15	X.XXX* ±1°	DRAW: Joe Chen	SCALE
			UNIT
			PAGE
			11. 10. 12
			1:1
			MM
			1/2

REV	ECN.NO:	BY	DATE
A0	NEW DWG(111017)	Joe Chen	11.10.12

SCHEMATIC
AH Circuit Isolation Magnetic



ELECTRICAL CHARACTERISTICS

TEST NOTES(25±5°C)	
1.TR<100kHz,100mV>	
PINS:<P1-P2><J1-J2>=1±3%;<P3-P4><J3-J6>=1±3%	
PINS:<P7-P8><J4-J5>=1±3%;<P9-P10><J7-J8>=1±3%	
2.LX<100kHz,100mV,8mA DC Bias>	
PINS:<P1-P2><P3-P4><P7-P8><P9-P10>=350uH MINIMUM	
3.DCR:	
PINS:<J1-J2><J3-J6><J4-J5><J7-J8>=1.5 OHMS MAXIMUM	
4.HIPOT:	
PINS:<P1-P2>TO<J1-J2><P3-P4>TO<J3-J6>=1500VAC FOR 60 SECONDS	
PINS:<P7-P8>TO<J3-J6><P9-P10>TO<J7-J8>=1500VAC FOR 60 SECONDS	
5.INSERTION LOSS:	
-0.8dB MAXIMUM AT 0.3MHz-100MHz	
-1.2dB MAXIMUM AT 100MHz-120MHz	
6.RETURN LOSS	
-18dB MINIMUM AT 0.5MHz TO 40MHz	
-12+20log<f/80MHz>dB MINIMUM AT 40MHz TO 100MHz	
7.CROSS TALK:	
-33+20log<f/100MHz>dB MINIMUM AT 0.1MHz TO 100MHz	
8.COMMON TO DIFFERENTIAL MODE REJECTION	
-35dB MINIMUM AT 0.3MHz TO 100MHz	
9.COMMON TO COMMON MODE REJECTION	
-30dB MINIMUM AT 0.3MHz TO 100MHz	
10.OPERATING TEMPERATURE:0°C TO 70°C	

CUSTOMER DRAWING		LITE Liteconn Co.,Ltd.	
-TOLERANCES- UNLESS OTHERWISE SPECIFIED		TITLE: RJF單層單PORT10P8全色+濾波器+LED燈	
X.X ±0.35	X.X* ±3'	APPD:	DWG NO: 12411-141AH620-33R
X.XX ±0.25	X.XX* ±2'	CHECK:	DATE 11.10.12
X.XXX ±0.15	X.XXX* ±1'	DRAW: Joe Chen	SCALE 1:1
			UNIT MM
			PAGE 2/2

COMPLIANCE WITH THE REQUIREMENT RoHS HF SONY00259 OTHER
 ※ NO USING RESTRICTED AND BANNED SUBSTANCE