

NOTE 1:

1. MATERIALS:

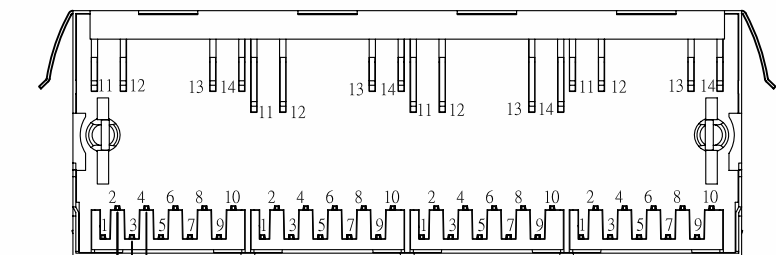
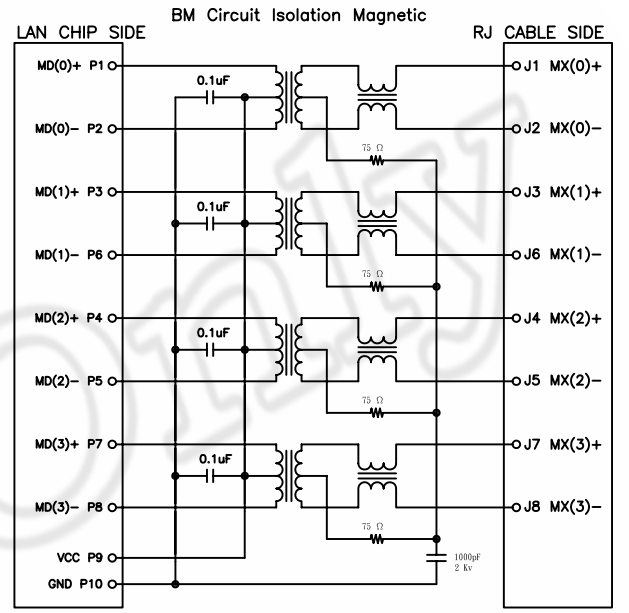
- HOUSING: THERMOPLASTIC POLYESTER;
- RJ CONTACT: COPPER ALLOY, T=0.35±0.02mm.
- JOINT CONTACT: COPPER ALLOY, T=0.30±0.02mm.
- SHELL: COPPER ALLOY, T=0.20±0.02mm.

2. PLATING:

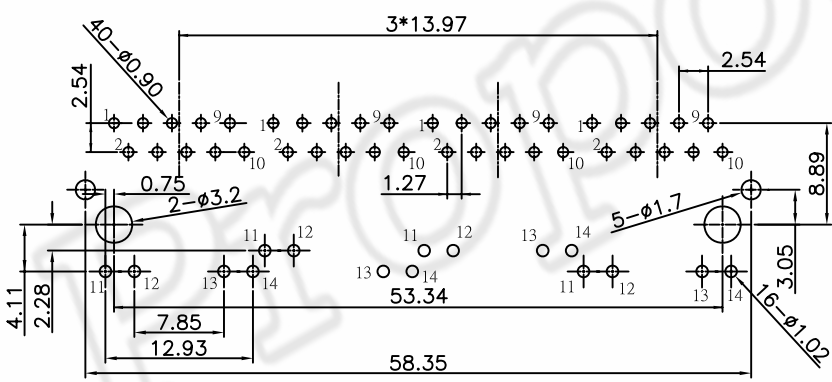
- RJ CONTACTS: SELECT GOLD PLATED OVER NICKEL UNDERPLATED OVERALL
- JOINT CONTACTS: TIN PLATED OVER NICKEL UNDERPLATED OVERALL
- SHELL: NICKEL UNDERPLATED OVERALL

3. SPECIFICATION:

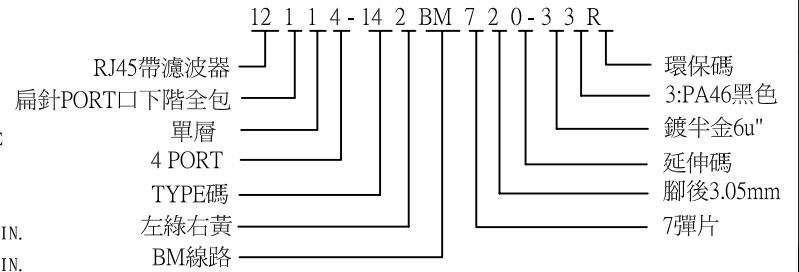
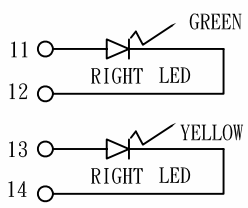
- OPERATING TEMPERATURE : 0°C~+70°C
- STORAGE: -40°C~+85°C
- DURABILITY: 750 CYCLES MIN
- TYPE: BALANCE LOW PASS 100Ω IMPEDANCE
- INSERTION LOSS: 1-100MHz-1.0dB MAX.
- RETURN LOSS: 1-30MHz-18dB MIN.
30-60MHz-16dB MIN.
60-80MHz-12dB MIN.
- CROSS TALK: @1-100MHz-35dB MIN.
- COMMON MODE REJECTION: @1-100 MHz-30dB MIN
- INDUCTANCE AT 100KHz 100mV, 8mA DC BIAS: 350uH MIN.
- HI-POT: 1500Vrms (INPUT TO OUTPUT)



(3) 1.27
(4) 2.54



PCB LAYOUT



COMPLIANCE WITH THE REQUIEMENT RoHS HF SONY00259 OTHER
* NO USING RESTRICTED AND BANNED SUBSTANCE

CUSTOMER DRAWING		LITE Liteconn Co.,Ltd.			
-TOLERANCES- UNLESS OTHERWISE SPECIFIED		TITLE: RJF 1X4PORT帶LED燈 1000M BM線路 成品圖			
X.X ±0.35	X.X° ±3°	APPD:	DWG NO: 12114-142BM720-33R		
X.XX ±0.25	X.XX° ±2°	CHECK:	DATE	SCALE	UNIT
X.XXX ±0.15	X.XXX° ±1°	DRAW: 李占春	2011.07.05	1:1	MM
				UNIT	PAGE
				MM	1/1