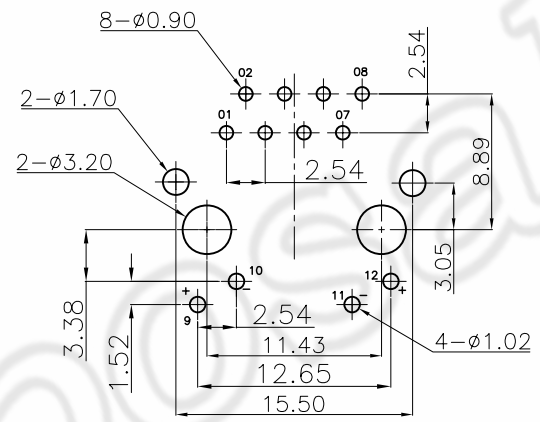
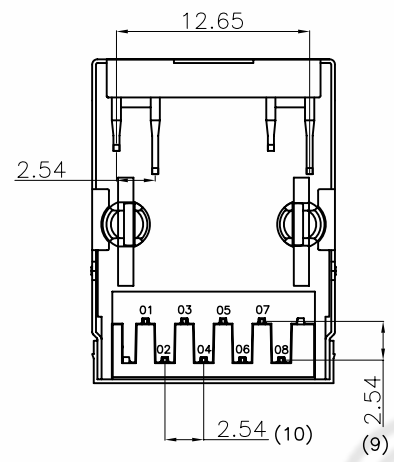
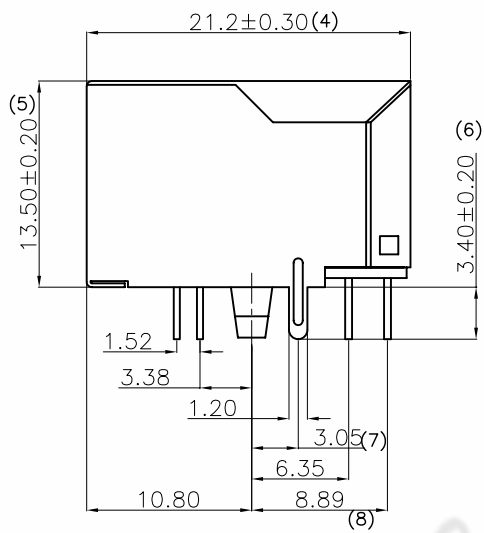
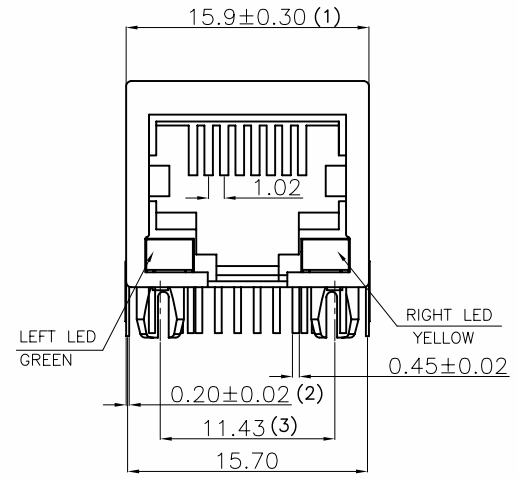
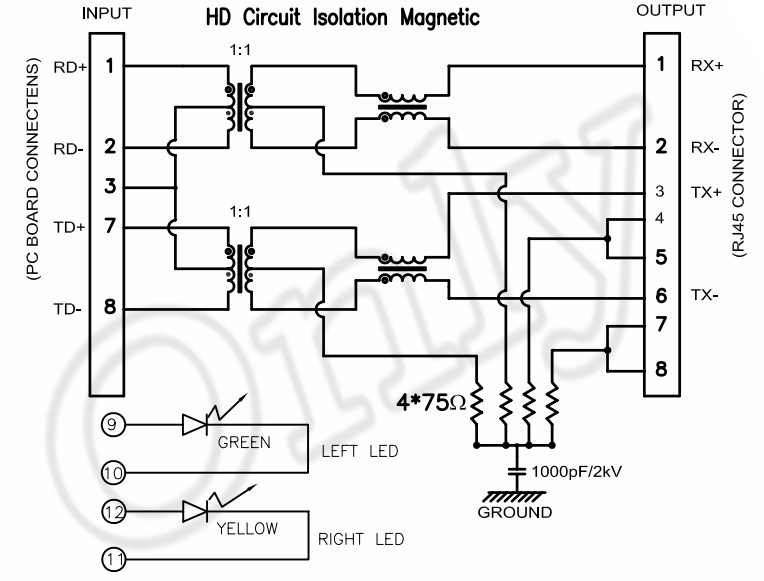


REV	ECN.NO:	BY	DATE
A0	NEW DWG(110234)	lijunbin	11.02.21



PCB LAYOUT
TOP VIEW

- 12111-042HDO 2 2-2 3 R
- R: RHOS
 - MATERIAL:
 - 3.HOUSING: THERMOPLASTIC,COLOR: BLACK
 - PLATING:
 - 2.CONTACT: Ni 50u",Au 3u",Tin 120u";
 - BOARDLOCKS: Ni 50u";
 - 2:延伸碼
 - 2:膠線3.05
 - 0:無彈片
 - HD Circuit Isolation Magnetic



NOTE 1:

1.MATERIALS:
HOUSING:THERMOPLASTIC POLYESTER, BLACK;
RJ CONTACT:PHOSPHOR BRONZE,T=0.35±0.02mm.
JOINT CONTACT:BRASS,T=0.30±0.02mm.
SHELL:BRASS,T=0.20±0.01mm.

2.PLATING:
RJ CONTACTS: SELECT GOLD PLATED OVER NICKEL UNDERPLATED OVERALL
JOINT CONTACTS: TIN PLATED OVER NICKEL UNDERPLATED OVERALL
SHELL: NICKEL UNDERPLATED OVERALL

3.SPECIFICATION:
OPERATING TEMPERATURE : 0°C~+70°C
STORAGE: -40°C~+85°C
DURABILITY: 750 CYCLES MIN
TYPE: BALANCE LOW PASS 100Ω IMPEDANCE
INSERTION LOSS: 1~100MHz-1.0dB MAX.
RETURN LOSS: 1~30MHz-18dB MIN.
30~60MHz-16dB MIN.
60~80MHz-12dB MIN.

CROSS TALK: @1~100MHz-35dB MIN.
COMMON MODE REJECTION: @1~100 MHz-30dB MIN
INDUCTANCE AT 100KHz 100mV,8mA DC BIAS: 350uH MIN.
HI-POT: 1500Vrms (INPUT TO OUTPUT)

COPLIANCE WITH THE REQUIEMENT RoHS HF SONY00259 OTHER
※ NO USING RESTRICTED AND BANNED SUBSTANCE

CUSTOMER DRAWING		LITE Liteconn Co.,Ltd.			
-TOLERANCES- UNLESS OTHERWISE SPECIFIED				TITLE: RJF 10/100M 單層單PORT 8P8C	
X.X	±0.35	X.X*	±3*	APPD:	
X.XX	±0.25	X.XX*	±2*	CHECK:	
X.XXX	±0.15	X.XXX*	±1*	DRAW: lijunbin	
				DWG NO: 12111-042HD022-23R	
		DATE	SCALE	UNIT	PAGE
		2011.02.21	1:1	MM	1/1