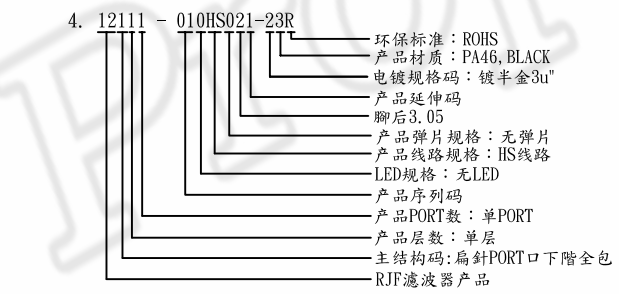
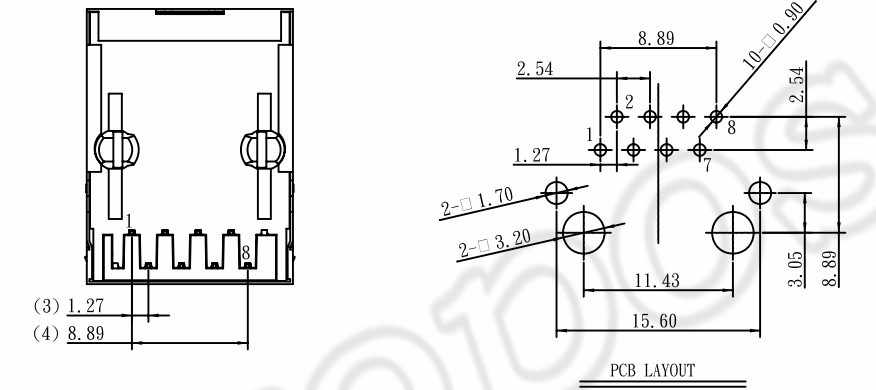
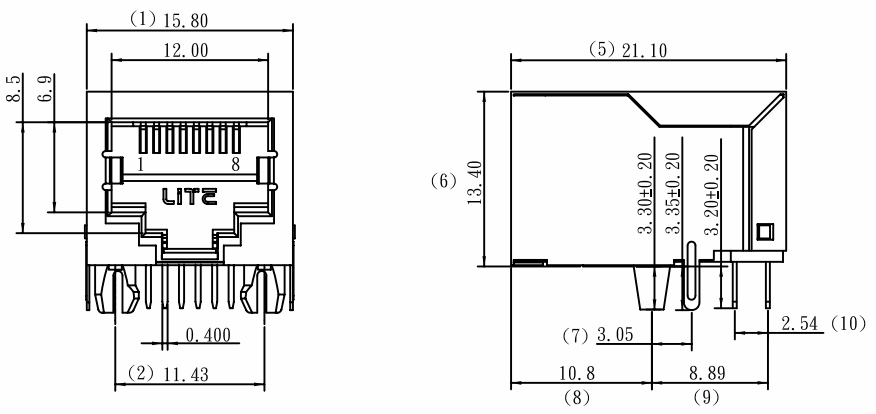


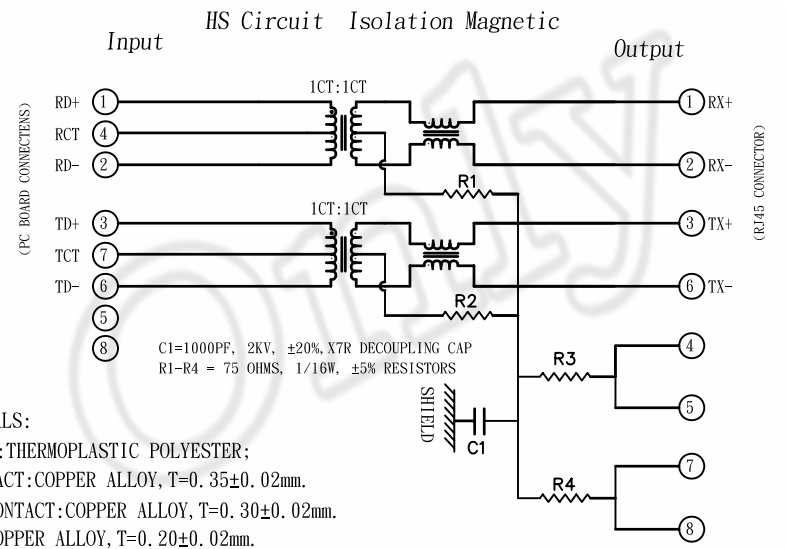
REV	ECN. NO:	BY	DATE
A0	NEW DWG 101260	李錦鋒	09/12/08
A1	NEW DWG T110516	李錦鋒	11/5/28



环保标准: ROHS  
 产品材质: PA46, BLACK  
 电镀规格码: 镀半金3u'  
 产品延伸码  
 脚后3.05  
 产品弹片规格: 无弹片  
 产品线路规格: HS线路  
 LED规格: 无LED  
 产品序列码  
 产品PORT数: 单PORT  
 产品层数: 单层  
 主结构码: 扁针PORT口下阶全包  
 RJF滤波器产品

COMPLIANCE WITH THE REQUIREMENT  RoHS  HF  SONY00259  OTHER  
 ※ NO USING RESTRICTED AND BANNED SUBSTANCE

SCHMATIC



NOTE :

- MATERIALS:  
 HOUSING: THERMOPLASTIC POLYESTER;  
 RJ CONTACT: COPPER ALLOY, T=0.35±0.02mm.  
 JOINT CONTACT: COPPER ALLOY, T=0.30±0.02mm.  
 SHELL: COPPER ALLOY, T=0.20±0.02mm.
- PLATING:  
 RJ CONTACTS: SELECT GOLD PLATED OVER NICKEL UNDERPLATED OVERALL  
 JOINT CONTACTS: TIN PLATED OVER NICKEL UNDERPLATED OVERALL  
 SHELL: NICKEL UNDERPLATED OVERALL
- SPECIFICATION:  
 OPERATING TEMPERATURE : 0°C~+70°C  
 STORAGE: -40°C~+85°C  
 DURABILITY: 750 CYCLES MIN  
 TYPE: BALANCE LOW PASS 100 Ω IMPEDANCE  
 INSERTION LOSS: 1~100MHz-1.0dB MAX.  
 RETURN LOSS: 1~30MHz-18dB MIN.  
 30~60MHz-16dB MIN.  
 60~80MHz-12dB MIN.  
 CROSS TALK: @1~100MHz-35dB MIN.  
 COMMON MODE REJECTION: @1~100 MHz-30dB MIN  
 INDUCTANCE AT 100KHz 100mV, 8mA DC BIAS: 350uH MIN.  
 HI-POT: 1500Vrms (INPUT P1-P8 TO OUTPUT J1-J8) 1mA 60s

CUSTOMER DRAWING		<b>LITE</b> LiteCONN Co., Ltd.	
-TOLERANCES- UNLESS OTHERWISE SPECIFIED		TITLE: RJ TRANSFORMER 10/100單層單PORT8P8	
X.X ±0.35	X.X° ±3°	APPD:	DWG NO: 12111-010HS021-23R (AAR-RJF-012-003)
X.XX ±0.25	X.XX° ±1°	CHECK:	DATE: 11/5/28
X.XXX ±0.15	X.XXX° ±0.5°	DRAW: 李錦鋒	SCALE: FREE
			UNIT: mm
			PAGE: 1/1