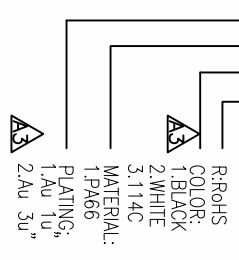
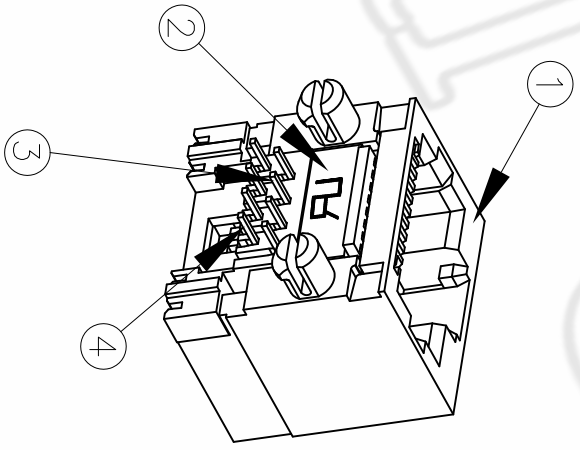
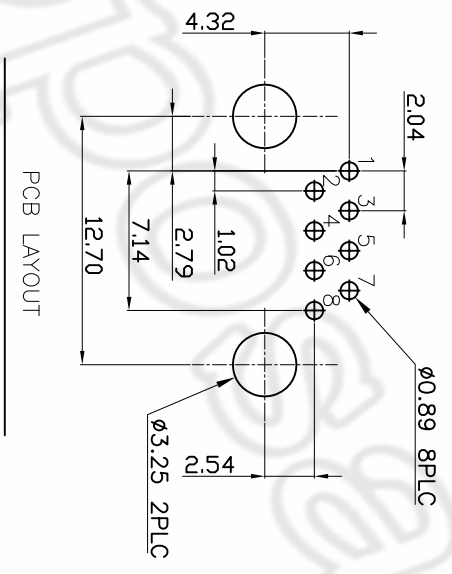
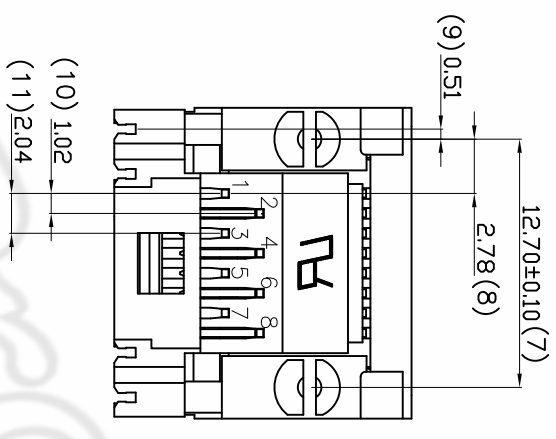
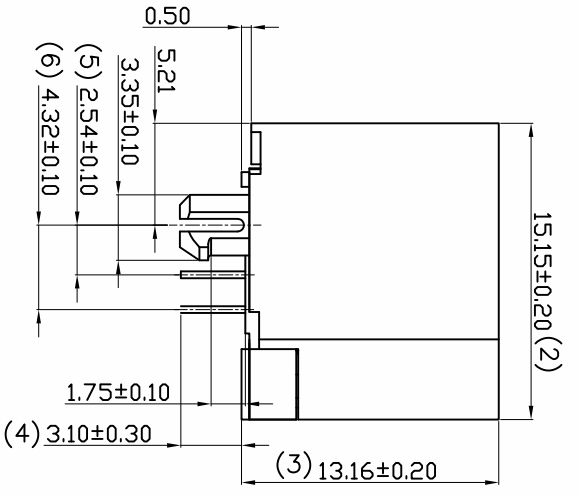


REV	ECN NO.	BY	DATE
A0	NEW DWG	莊東	10.10.12
A1	新增規格	ch.dong	11.02.23
A2	更新版次(ECR110440)	譚鈞斌	11.04.18
A3	新增規格 ECN120149	董希曠	12.01.31

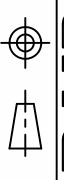
NOTES:

1. MATERIAL:
- 1.1 HOUSING&COVER: SEE TABLE WITH 30%GF:UL94V-0;COLOR:SEE TABLE
- 1.2 CONTACT:COPPER ALLOY
2. FINISH:
- 2.1 CONTACT:
GOLD PLATING(SEE TABLE) ON CONTACT AREA.
2.54um [100u"] MIN. TIN PLATING ON SOLDER TAIL AREA.
1.27um [50u"] MIN. NICKEL UNDERPLATING OVERALL.
3. "*" SHOWS QIP INSPECTION ITEMS.
4. RECOMMENDED P.C.B THICKNESS: 1.6mm
5. OTHER GENERAL SPEC. TO REFER: R145 SERIES SPEC.
6. FOR WAVE SOLDERING LEAD-FREE PROCESS
7. PART NO.:10811-01230000-X X X X X



NO.	DESCRIPTION	MATERIAL	COLOR	REMARK
4	CONTACT	SEE PART DRAWING		GOLD/TIN PLATED
3	CONTACT	SEE PART DRAWING		GOLD/TIN PLATED
2	BACK PLASTIC	SEE PART DRAWING		UL 94V-0
1	HOUSING	SEE PART DRAWING		UL 94V-0

Litecomm Co., Ltd.



MODEL: R145單層單PORT8全塑無發

CUSTOMER DRAWING		TITLE:	
-TOLERANCES-		R145單層單PORT8全塑無發	
UNLESS OTHERWISE SPECIFIED		DWG NO: 10811-01230000-XXXX	
X.X ±0.35	X.X ±3	DATE	SCALE
X.XX ±0.25	X.XX ±2	10.10.12	1:1
X.XXX ±0.15	X.XXX ±1	UNIT	PAGE
		MM	1/1

NO.	PART NO.	PLATING	MATERIAL	COLOR	ENVIRONMENTAL
5	10811-01230000-211R	AL3U*	PA66	BLACK	RoHS
4	10811-01230000-213R	AL3U*	PA66	114C	RoHS
3	10811-01230000-212R	AL3U*	PA66	WHITE	RoHS
2	10811-01230000-113R	AL1U*	PA66	114C	RoHS
1	10811-01230000-111R	AL1U*	PA66	BLACK	RoHS

COMPLIANCE WITH THE REQUIREMENT RoHS HF SONY00259 OTHER
 ※ NO USING RESTRICTED AND BANNED SUBSTANCE