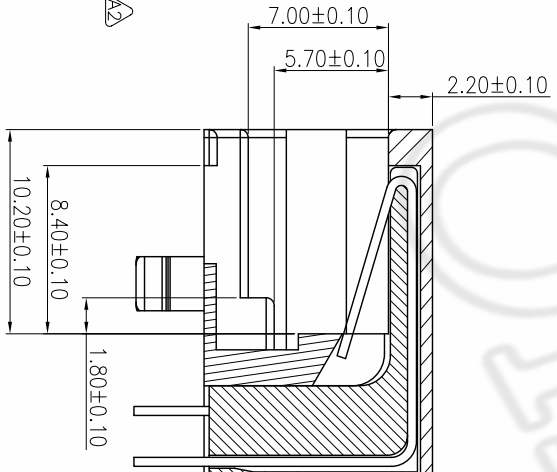
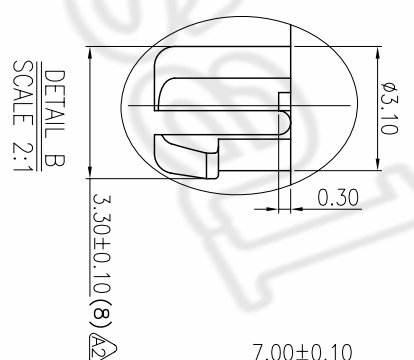
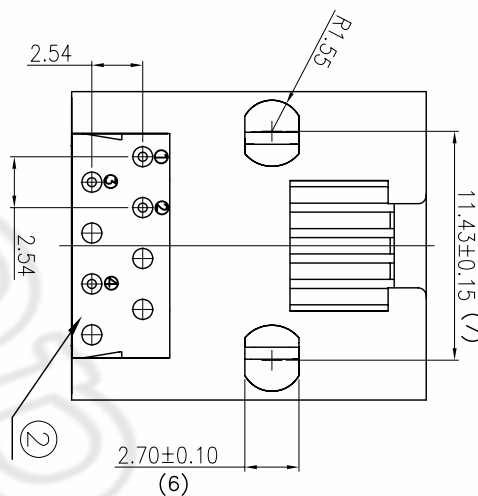
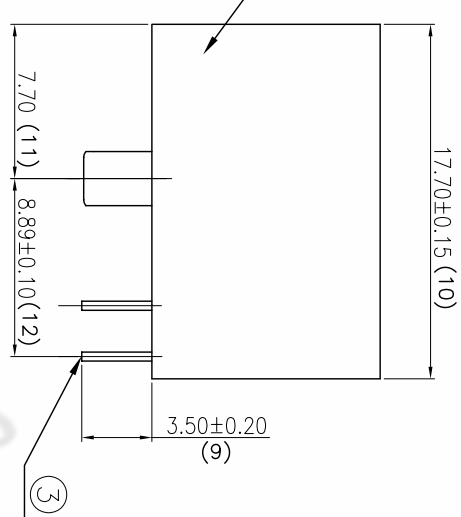
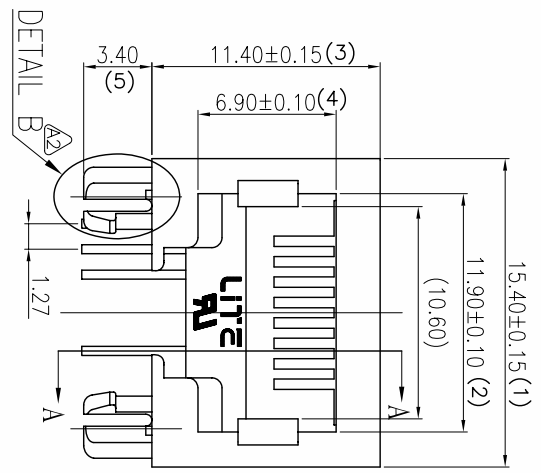


REV	ECN/NO:	BY	DATE
A0	NEW DWG (071103)	孫偉偉	07.11.02
A1	新增規格(GCR10644)	譚龍斌	11.06.28
A2	修改腳位卡勾位置及Layout孔徑	Jason_sun	11.12.07



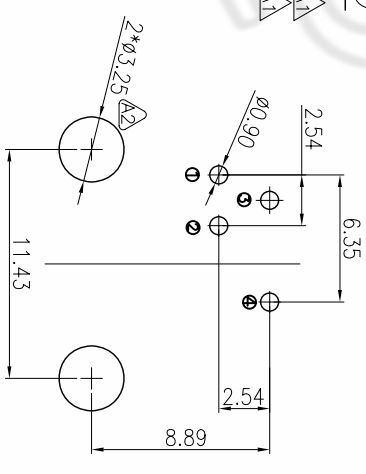
1. COLOR: BLACK
 4. COLOR: BLUE(285C)
 5. COLOR: YELLOW(108C)
 E. COLOR: YELLOW(108C)FORMER MATERIAL:
 2. HOUSING: PBT
 3. HOUSING: PA46
 PLATING:
 1. CONTACT: Au 1u"
 2. CONTACT: Au 3u"
 3. CONTACT: Au 6u"

- NOTES:
 1. MATERIAL:
 1.1 HOUSING&COVER: THERMOPLASTIC, UL94 V-0; COLOR: SEE TABLE
 1.2 CONTACT: PHOSPHOR BRONZE
 2. FINISH:
 2.1 CONTACT:
 GOLD PLATING(SEE TABLE)PLATING.
 3. RECOMMENDED PCB THICKNESS : 1.6mm
 4. OTHER GENERAL SPEC: TO REFER : R145 SERIES SPEC.
 5. FOR WAVE SOLDERING LEAD-FREE PROCESS
 6. WEIGHT: 2.81g/PCS
 7. MANUFACTORY:MADE IN CHINA
 8. TRANSFORMAT FOR 10/100M AND 1000M. (NO TRANSFORMER)
 9. PART NO. : 10211-05420001-X X X X X

TABLE

NO.	PART NO.	PLATING	MATERIAL	COLOR	ENVIRONMENTAL
10	10211-05420001-121R	Au1u"	PBT	BLACK	RoHS
9	10211-05420001-12ER	Au1u"	PBT	YELLOW(108C) (FORMER)	RoHS
8	10211-05420001-331R	Au6u"	PA46	BLACK	RoHS
7	10211-05420001-335R	Au6u"	PA46	YELLOW(108C)	RoHS
6	10211-05420001-335R	Au6u"	PA46	YELLOW(108C) (FORMER)	RoHS
5	10211-05420001-224R	Au3u"	PBT	BLUE (285C)	RoHS
4	10211-05420001-22ER	Au3u"	PBT	YELLOW(108C) (FORMER)	RoHS
3	10211-05420001-235R	Au3u"	PA46	YELLOW(108C)	RoHS
2	10211-05420001-125R	Au1u"	PBT	YELLOW(108C)	RoHS
1	10211-05420001-225R	Au3u"	PBT	YELLOW(108C)	RoHS

COMPLIANCE WITH THE REQUIREMENT RoHS HF SONYY00259 OTHER
 ※ NO USING RESTRICTED AND BANNED SUBSTANCE



NO.	DESCRIPTION	MATERIAL	COLOR	REMARK
3	CONTACT	PHOSPHOR BRONZE		GOLD PLATED
2	COVER	THERMOPLASTIC		UL 94V-0
1	HOUSING	THERMOPLASTIC		UL 94V-0

CUSTOMER DRAWING - TOLERANCES - UNLESS OTHERWISE SPECIFIED

X.X	±0.35	X.X'	±3'
X.XX	±0.25	X.XX'	±2'
X.XXX	±0.15	X.XXX'	±1'

APPD: TITLE: R145單層單PORT8P4全塑圓針
 CHECK: DWG NO.: 10211-05420001-XXXX
 DATE: 2011.12.07 SCALE: 1:1 UNIT: MM PAGE: 1/1