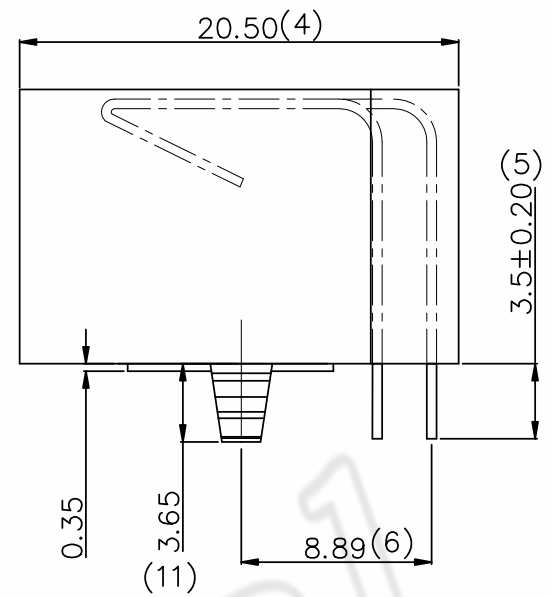
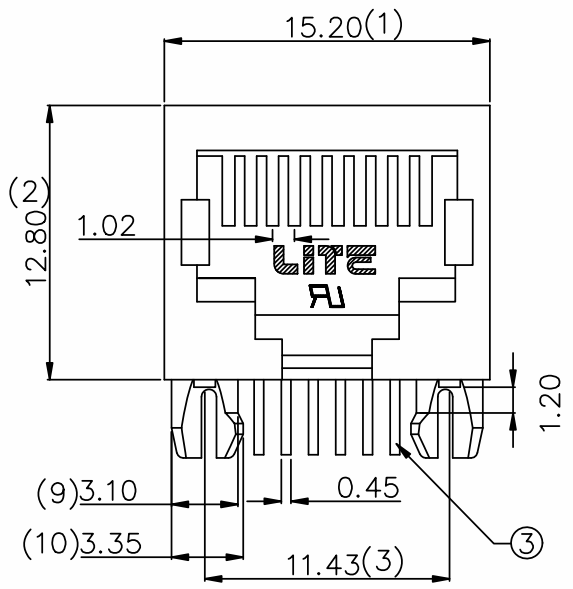


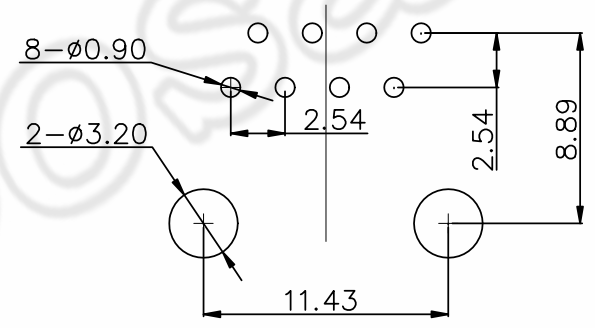
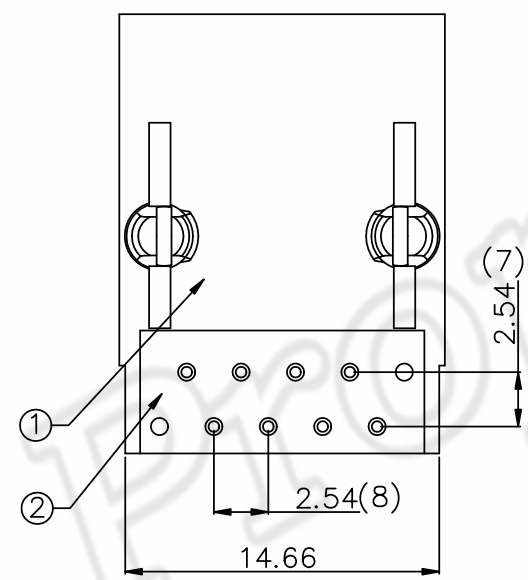
REV	ECN.NO:	BY	DATE
A0	NEW DWG	姜文斌	10.06.08



NOTES:

- MATERIAL:
 - HOUSING & COVER: HIGH TEMPERATURE THERMOPLASTIC WITH 30% G.F, UL94 V-0; COLOR: SEE NOTES 6
 - CONTACT: COPPER ALLOY; $\phi 0.45\text{mm}$
- FINISH:
 - CONTACT: GOLD PLATED(SEE TABLE)
- RECOMMENDED P.C.B THICKNESS : 1.6mm
- OTHER GENERAL SPEC. TO REFER : RJ45 SERIES SPEC.
- FOR WAVE SOLDERING LEAD-FREE PROCESS
- 10211-04130001-X X X X

R: RoHS
 COLOR:
 1.HOUSING: BLACK
 MATERIAL:
 3.HOUSING: PA46
 PLATING:
 2.CONTACT: Au 3u"



PCB LAYOUT

3	CONTACT	SEE PART DRAWING	SEE PART DRAWING	GOLD-PLATED
2	COVER	SEE PART DRAWING	SEE PART DRAWING	UL 94V-0
1	HOUSING	SEE PART DRAWING	SEE PART DRAWING	UL 94V-0
NO:	DESCRIPTION	MATERIAL	COLOR	REMARK

TABLE

1	10211-04130001-231R	Au3u"	PA46	BLACK	RoHS
NO:	PART NO:	PLATING	MATERIAL	COLOR	ENVIRONMENTAL

COPLIANCE WITH THE REQUIEMENT RoHS HF SONY00259 OTHER
 ※ NO USING RESTRICTED AND BANNED SUBSTANCE

CUSTOMER DRAWING			LITE Liteconn Co.,Ltd.			
-TOLERANCES- UNLESS OTHERWISE SPECIFIED					TITLE: RJ45圓針PORT口下階全塑1X1PORT10P8 腳柱3.35無鐵腳無彈片	
X.X	±0.35	X.X*	±3*	APPD:	DWG NO: 10211-04130001-XXXX	
X.XX	±0.25	X.XX*	±2*	CHECK:	DATE	SCALE
X.XXX	±0.15	X.XXX*	±1*	DRAW: 姜文斌	2010.06.08	1:1
				UNIT	PAGE	
				MM	1/1	