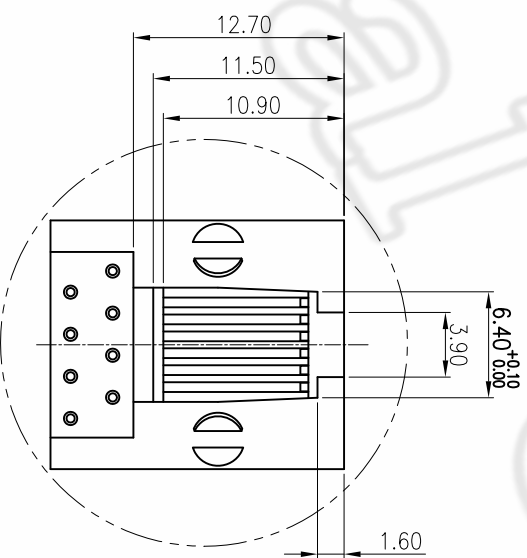
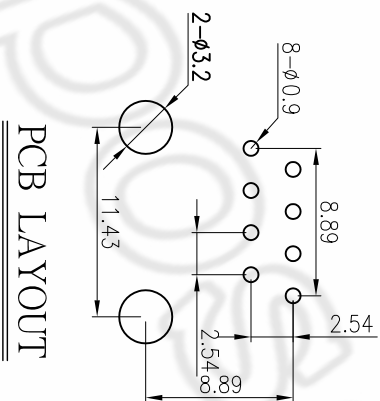
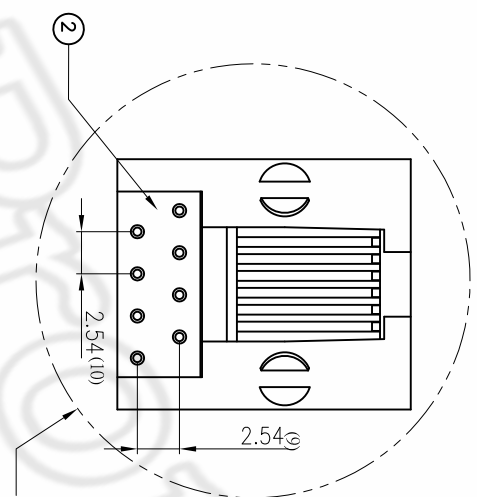
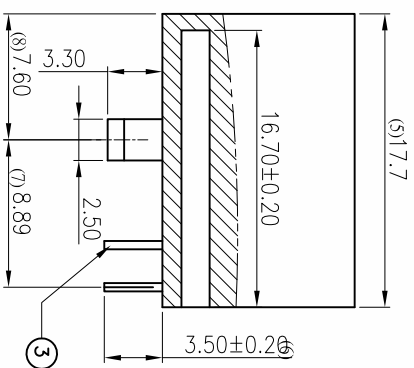
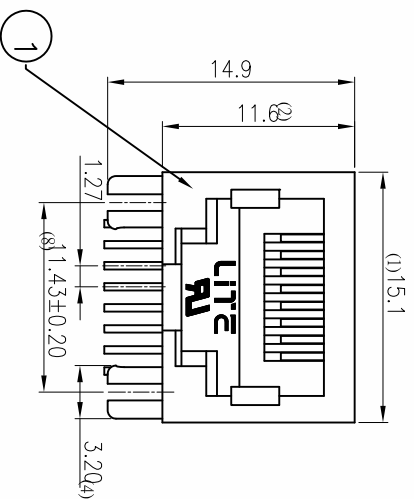


REV	ECN NO.	BY	DATE
A0	NEW DWG	章芳	10.10.11
A1	新增規格PDR NO.:TPPDRCL1117	董懷麗	11.11.15
A2	新增規格PDR NO.:TPPDRCL1231	董懷麗	11.12.20
A3	新增規格 ECN120243	董希曦	12.02.16
A4	新增規格 ECN120306	董希曦	12.03.02



DETAIL A
SCALE 1:1

NO.	DESCRIPTION	MATERIAL	COLOR	REMARK
3	CONTACT	SEE PART DRAWING		GOLD PLATED
2	COVER	SEE PART DRAWING		UL 94V-0
1	HOUSING	SEE PART DRAWING		UL 94V-0

LITE Litecomm Co., Ltd.

CUSTOMER DRAWING
-TOLERANCES-
UNLESS OTHERWISE SPECIFIED

TITLE: R45圖針PORT口下階全塑
1X1PORT8腳柱3.2無蓋顯無彈片

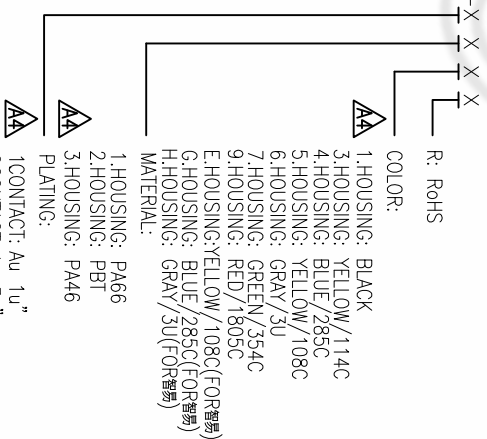
X.X	±0.35	X.X*	±3*	APPD:	DWG NO:	DATE	SCALE	UNIT	PAGE
X.XX	±0.25	X.XX*	±2*	CHECK:	10211-02210001-XXXX	2010.10.11	1:1	MM	1/2
X.XXX	±0.15	X.XXX*	±1*	DRAW:					

COMPLIANCE WITH THE REQUIREMENT RoHS HF SONY00259 OTHER
* NO USING RESTRICTED AND BANNED SUBSTANCE

REV	ECN/NO:	BY	DATE
A0	NEW DWG	章芳	10.10.11
A1	新增規格PDR NO.:TPPDRCL1117	董懷麗	11.11.15
A2	新增規格PDR NO.:TPPDRCL1231	董懷麗	11.12.20
A3	新增規格 ECN120243	董希曦	12.02.16
A4	新增規格 ECN120306	董希曦	12.03.02

NOTES:

- MATERIAL:
 - HOUSING & COVER: HIGH TEMPERATURE THERMOPLASTIC WITH 30% G.F, UL94 V-0; COLOR: SEE NOTES 6
 - CONTACT: COPPER ALLOY;φ0.45mm
- FINISH:
 - CONTACT:
 - GOLD PLATING(SEE TABLE)
 - RECOMMENDED P.C.B THICKNESS : 1.6mm
 - OTHER GENERAL SPEC. TO REFER : RJ45 SERIES SPEC.
 - FOR WAVE SOLDERING LEAD-FREE PROCESS
 - 10211-02210001-X X X X



1.CONTACT: Au 1u"
2.CONTACT: Au 3u"
3.CONTACT: Au 6u"

TABLE	REV	ECN/NO:	BY	DATE	
34	10211-02210001-131R	Au1u"	PA46	BLACK	ROHS
33	10211-02210001-133R	Au1u"	PA46	114C	ROHS
32	10211-02210001-121R	Au1u"	PBT	BLACK	ROHS
31	10211-02210001-113R	Au1u"	PA66	114C	ROHS
30	10211-02210001-135R	Au6u"	PA46	3U	ROHS
29	10211-02210001-136R	Au6u"	PA46	285C	ROHS
28	10211-02210001-137R	Au6u"	PA46	108C	ROHS
27	10211-02210001-139R	Au6u"	PA46	1805C	ROHS
26	10211-02210001-137R	Au6u"	PA46	354C	ROHS
25	10211-02210001-136R	Au6u"	PA46	3U	ROHS
24	10211-02210001-135R	Au6u"	PA46	108C	ROHS
23	10211-02210001-134R	Au6u"	PA46	285C	ROHS
22	10211-02210001-133R	Au6u"	PA46	114C	ROHS
21	10211-02210001-131R	Au6u"	PA46	BLACK	ROHS
20	10211-02210001-134R	Au6u"	PA66	285C	ROHS
19	10211-02210001-131R	Au6u"	PA66	BLACK	ROHS
18	10211-02210001-139R	Au3u"	PA46	1805C	ROHS
17	10211-02210001-124R	Au3u"	PA46	285C	ROHS
16	10211-02210001-123R	Au3u"	PA46	114C	ROHS
15	10211-02210001-121R	Au3u"	PA46	BLACK	ROHS
14	10211-02210001-124R	Au3u"	PBT	3U	ROHS
13	10211-02210001-126R	Au3u"	PBT	285C	ROHS
12	10211-02210001-125R	Au3u"	PBT	108C	ROHS
11	10211-02210001-126R	Au3u"	PBT	3U	ROHS
10	10211-02210001-125R	Au3u"	PBT	108C	ROHS
9	10211-02210001-124R	Au3u"	PBT	285C	ROHS
8	10211-02210001-121R	Au3u"	PBT	BLACK	ROHS
7	10211-02210001-121R	Au3u"	PA66	114C	ROHS
6	10211-02210001-111R	Au3u"	PA66	BLACK	ROHS
5	10211-02210001-137R	Au1u"	PA46	354C	ROHS
4	10211-02210001-138R	Au1u"	PA46	3U	ROHS
3	10211-02210001-134R	Au1u"	PA46	285C	ROHS
2	10211-02210001-116R	Au1u"	PA66	3U	ROHS
1	10211-02210001-111R	Au1u"	PA66	BLACK	ROHS

CUSTOMER DRAWING		TITLE: R145圓針PORT口下階全塑 1X1PORT8腳針3.2無鐵鍍無標片	
-TOLERANCES-		DWG NO: 10211-02210001-XXXX	
UNLESS OTHERWISE SPECIFIED		APPD:	DATE: 2010.10.11
X.X ±0.35	X.X' ±3'	CHECK:	SCALE: 1:1
X.XX ±0.25	X.XX' ±2'	DRAW: 董懷麗	UNIT: MM
X.XXX ±0.15	X.XXX' ±1'		PAGE: 2/2

COMPLIANCE WITH THE REQUIREMENT ROHS HF SONY00259 OTHER
 ※ NO USING RESTRICTED AND BANNED SUBSTANCE