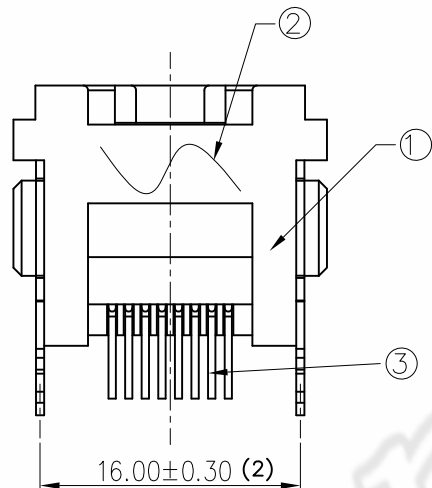
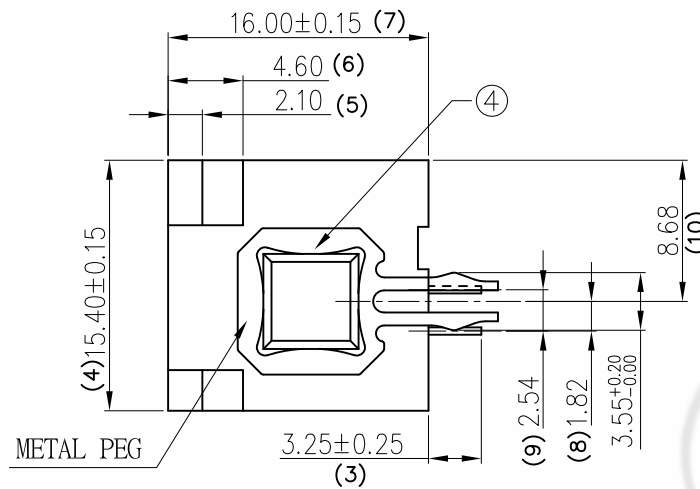
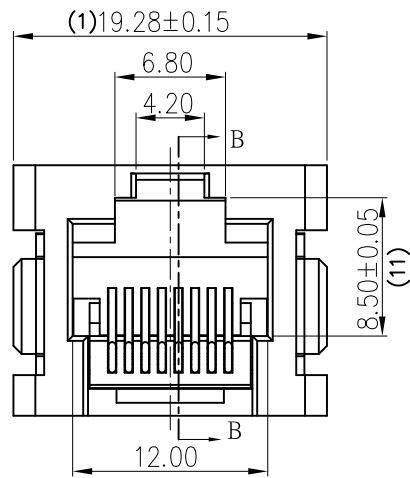


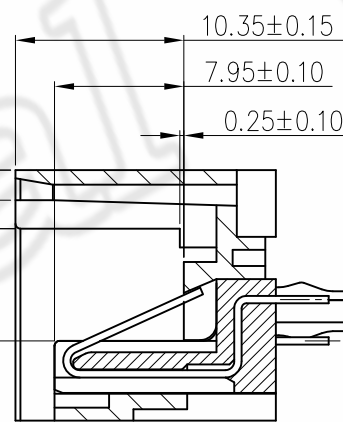
REV	ECN.NO:	BY	DATE
A0	NEW DWG	韋芳	10.10.12
A1	修改電鍍規格 (ECR NO.110301)	梁仁發	11.03.01
A2	新增規格 (ECR110642)	譚艷斌	11.06.27



NOTES:

- MATERIAL:
 - HOUSING & COVER: HIGH TEMPERATURE THERMOPLASTIC WITH 30% G.F, UL94 V-0; COLOR: SEE NOTES
 - CONTACT: COPPER ALLOY; ϕ 0.45mm
 - FORK: COPPER ALLOY, T=0.20mm;
- FINISH:
 - CONTACT: GOLD PLATING(SEE NOTES)
 - FORK: 2.54um [100u"] MIN.BRIGHT-TIN PLATING. Δ A1
1.00um [40u"] MIN. NICKEL UNDERPLATED OVERALL.
- RECOMMENDED P.C.B THICKNESS : 1.6mm
- OTHER GENERAL SPEC. TO REFER : RJ45 SERIES SPEC.
- FOR WAVE SOLDERING LEAD-FREE PROCESS
- 10211-02200000-X_X_X_X

- R: RoHS
COLOR:
1.HOUSING: BLACK
4.HOUSING: BLUE/285C
5.HOUSING: YELLOW/108C
7.HOUSING: GREEN/354C
A.HOUSING: GRAY/420C(FOR 暫別)
MATERIAL:
1.HOUSING: PA66
2.HOUSING: PBT
PLATING:
1.CONTACT: AU 1u"
2.CONTACT: Au 3u"
3.CONTACT: Au 6u"

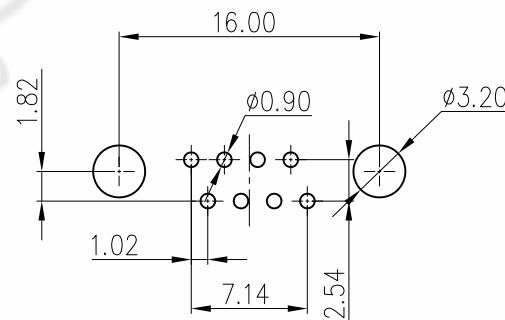


SECTION B-B

TABLE

11	10211-02200000-12AR	Au1u"	PBT	GRAY 420C	RoHS
10	10211-02200000-121R	Au1u"	PBT	BLACK	RoHS
9	10211-02200000-114R	Au1u"	PA66	285C	RoHS
8	10211-02200000-32AR	Au6u"	PBT	420C	RoHS
7	10211-02200000-321R	Au6u"	PBT	BLACK	RoHS
6	10211-02200000-31AR	Au6u"	PA66	420C	RoHS
5	10211-02200000-317R	Au6u"	PA66	354C	RoHS
4	10211-02200000-315R	Au6u"	PA66	108C	RoHS
3	10211-02200000-311R	Au6u"	PA66	BLACK	RoHS
2	10211-02200000-21AR	Au3u"	PA66	420C	RoHS
1	10211-02200000-211R	Au3u"	PA66	BLACK	RoHS
NO:	PART NO:	PLATING	MATERIAL	COLOR	REMARK

Δ A1
 Δ A2



PCB Board Layout

4	FORK	SEE PART DRAWING		TIN PLATED
3	CONTACT	SEE PART DRAWING		GOLD PLATED
2	COVER	SEE PART DRAWING	SEE PART DRAWING	UL 94V-0
1	HOUSING	SEE PART DRAWING	SEE PART DRAWING	UL 94V-0
NO:	DESCRIPTION	MATERIAL	COLOR	REMARK

CUSTOMER DRAWING		Liteconn Co.,Ltd.			
-TOLERANCES- UNLESS OTHERWISE SPECIFIED		TITLE: RJ45圓針PORT口下階全塑1X1PORT 8P8無腳柱無鐵腳無彈片			
X.X ±0.35	X.X* ±3'	APPD:	DWG NO: 10211-02200000-XXXX		
X.XX ±0.25	X.XX* ±2'	CHECK:	DATE	SCALE	UNIT
X.XXX ±0.15	X.XXX* ±1'	DRAW:	2011.03.01	1:1	MM
			PAGE	1/1	

COMPLIANCE WITH THE REQUIREMENT RoHS HF SONY00259 OTHER
* NO USING RESTRICTED AND BANNED SUBSTANCE