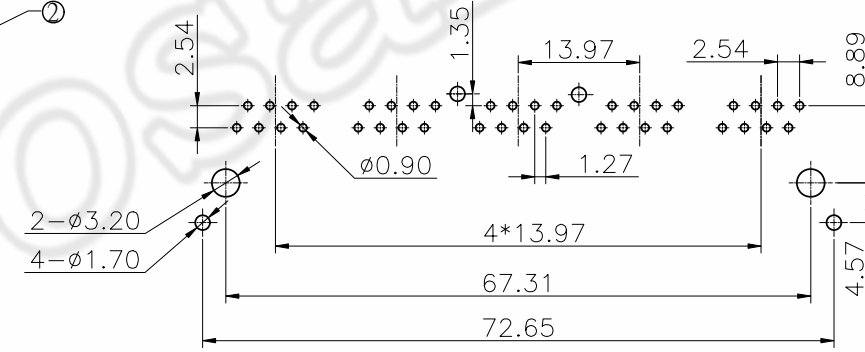
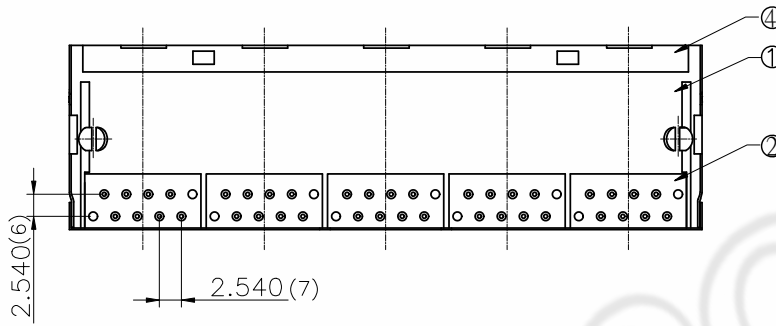
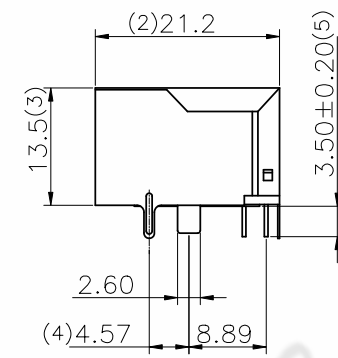
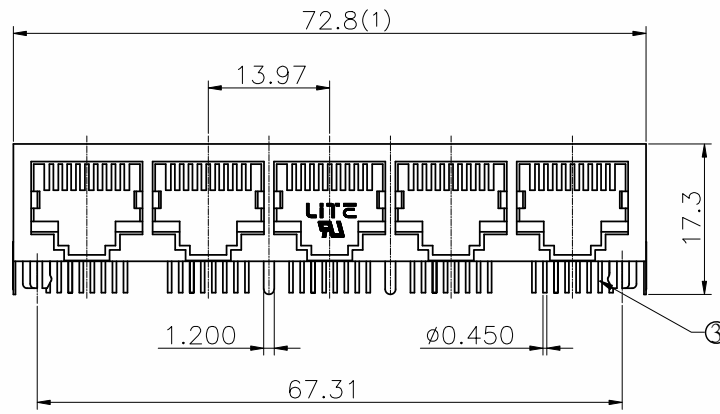


REV	ECN.NO:	BY	DATE
A0	NEW DWG	韋芳	10.10.23

NOTES:

- MATERIAL:
  - HOUSING & COVER: HIGH TEMPERATURE THERMOPLASTIC, WITH 30% G.F; UL94 V-0; COLOR: SEE NOTES 6
  - CONTACT: COPPER ALLOY  $\phi 0.45\text{mm}$
  - SHELL: COPPER ALLOY
- FINISH:
  - CONTACT: GOLD PLATING(SEE TABLE)
  - SHELL: 1.27 $\mu\text{m}$  [50u"] MIN. NICKEL UNDERPLATED OVERALL.
- RECOMMENDED P.C.B THICKNESS : 1.6mm
- OTHER GENERAL SPEC. TO REFER : RJ45 SERIES SPEC.
- FOR WAVE SOLDERING LEAD-FREE PROCESS
- 10115-01124031-X X X X

- R: RoHS
- COLOR:
- 1.HOUSING: BLACK
- MATERIAL:
- 1.HOUSING: PA66
  - 2.HOUSING: PBT
  - 3.HOUSING: PA46
- PLATING:
- 1.CONTACT: Au 1u"
  - 2.CONTACT: Au 3u"
  - 3.CONTACT: Au 6u"
  - 4.CONTACT: Au 15u"
  - 5.CONTACT: Au 30u"



PCB LAYOUT

TABLE

9	10115-01124031-531R	Au30u"	PA46	BLACK	RoHS
8	10115-01124031-511R	Au30u"	PA66	BLACK	RoHS
7	10115-01124031-431R	Au15u"	PA46	BLACK	RoHS
6	10115-01124031-331R	Au6u"	PA46	BLACK	RoHS
5	10115-01124031-231R	Au3u"	PA46	BLACK	RoHS
4	10115-01124031-221R	Au3u"	PBT	BLACK	RoHS
3	10115-01124031-211R	Au3u"	PA66	BLACK	RoHS
2	10115-01124031-131R	Au1u"	PA46	BLACK	RoHS
1	10115-01124031-111R	Au1u"	PA66	BLACK	RoHS
NO:	PART NO:	PLATING	MATERIAL	COLOR	ENVIRONMENTAL

COPLIANCE WITH THE REQUIEMENT  RoHS  HF  SONY00259  OTHER  
 ※NO USING RESTRICTED AND BANNED SUBSTANCE

4	SHELL	SEE PART DRAWING	NI PLATED	
3	CONTACT	SEE PART DRAWING	GOLD PLATED	
2	COVER	SEE PART DRAWING	UL 94V-0	
1	HOUSING	SEE PART DRAWING	UL 94V-0	
NO:	DESCRIPTION	MATERIAL	COLOR	REMARK

CUSTOMER DRAWING		<b>LITE</b> Liteconn Co.,Ltd.	
-TOLERANCES- UNLESS OTHERWISE SPECIFIED		TITLE: RJ45圓針PORT口下階全包1XSPORT10P8 腳柱3.3:4鐵腳無彈片腳前4.57	
X.X ±0.35	X.X* ±3'	APPD:	DWG NO: 10115-01124031-XXXX
X.XX ±0.25	X.XX* ±2'	CHECK:	DATE: 2010.10.23
X.XXX ±0.15	X.XXX* ±1'	DRAW: 韋芳	SCALE: 1:1
			UNIT: MM
			PAGE: 1/1